

SUBMITTAL SHEET

JOB NAME		ITEM TAG
JOB LOCATION		PART NUMBER
CONTRACTOR	DATE	
ENGINEER APPROVAL	DATE	

MODULAR MANIFOLD EXPANSION PAIR

M-8000

EPDM o-ring seals at all connections

Recommend Maximum number of circuits:

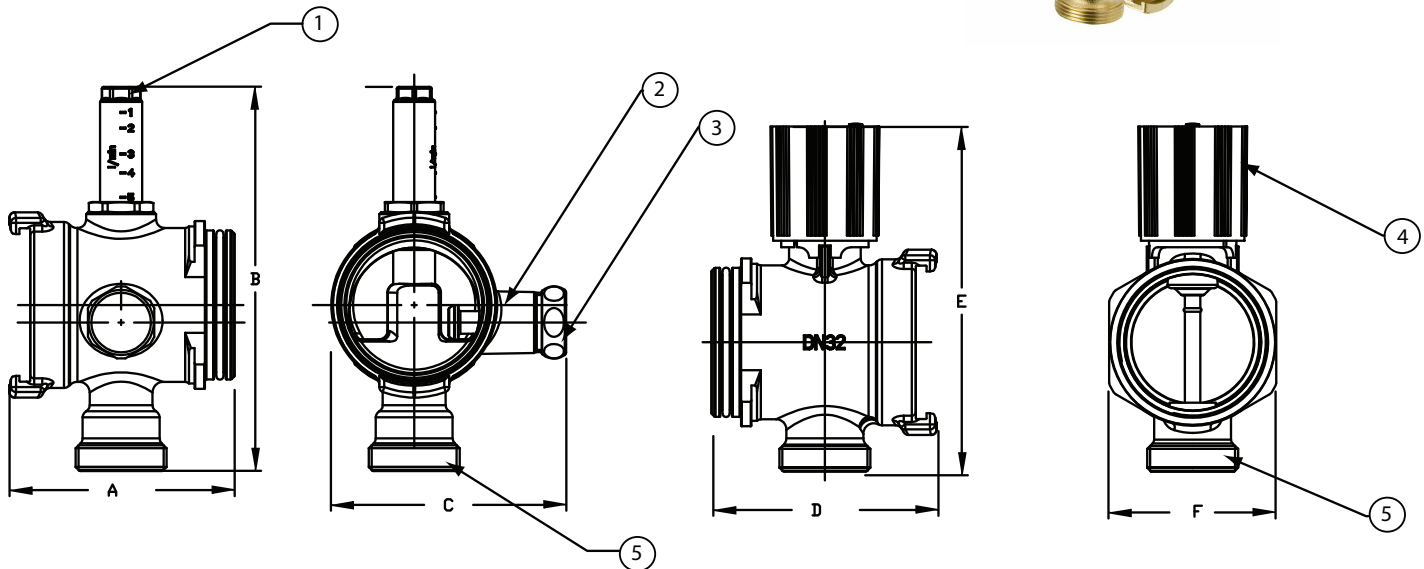
1" = 12 total circuits

1 1/4" = 14 total circuits

Max Working Pressure, Non-Shock (PSI): 125 PSI

Max Working Temp: 230 ° F

Max Flow: 1" 2 gpm per circuit up to 16 gpm
 1 1/4" 2 gpm per circuit up to 20 gpm



Pictured
M-8000
 Expansion Pair

MATERIAL SPECIFICATION

PART	MATERIAL	QTY
1. Flow Meter	High-Temperature Polymer	1
2. Balancing Valve & Memory Stop	Brass B124 UNS C37700	1
3. Cap	Brass B124 UNS C37700	1
4. Circuit Valve	High-Temperature Polymer	1
5. Piping Connection	Brass B124 UNS C37700	1

DIMENSIONS

1" and 1-1/4"	
A	2.52
B	4.33
C	2.54
D	2.52
E	3.89
F	1.87