

SUBMITTAL SHEET

JOB NAME		ITEM TAG
JOB LOCATION		PART NUMBER
CONTRACTOR	DATE	
ENGINEER APPROVAL	DATE	

COMPACT HEAT EXCHANGER

HX Series Compact Heat Exchangers

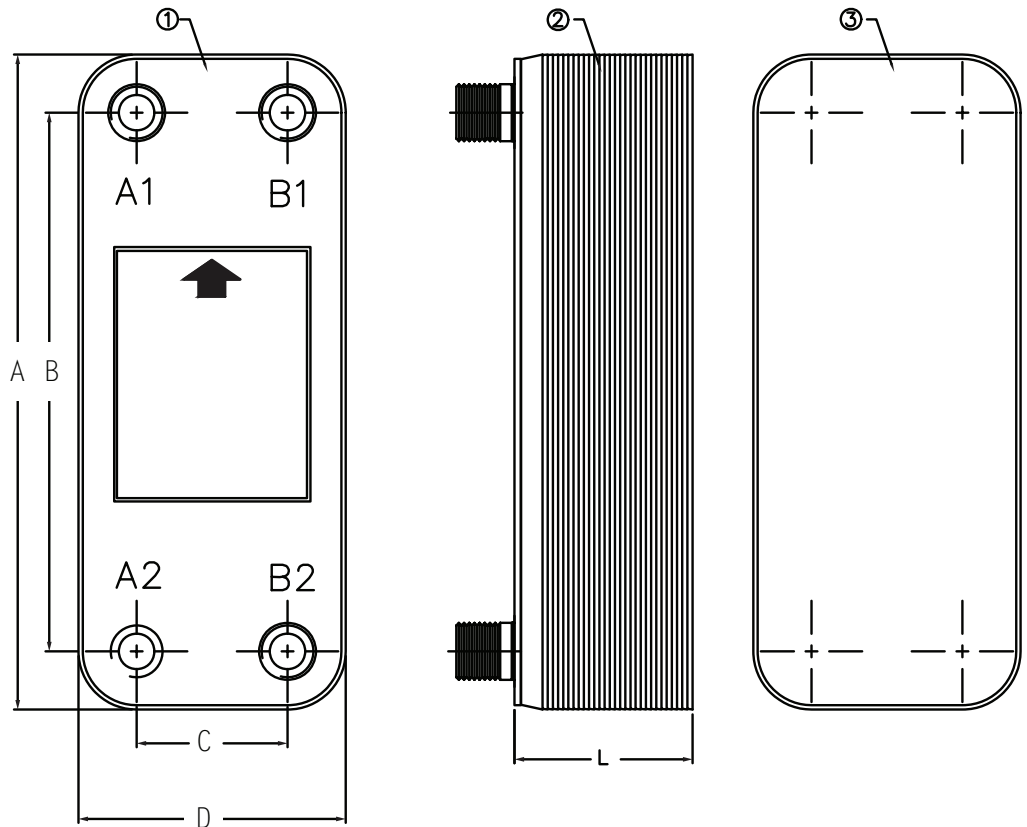
High Thermal Efficiency
 Compatible with: Water, Oil, Antifreeze solutions

Specifications:

Working Pressure, Non-Shock, 302°F @ 435 psi



Pictured
HX-200B



MATERIAL SPECIFICATION

PART	MATERIAL	SPECIFICATION
1. Upper Cover Plate	Stainless Steel	SUS 304
2. Plate	Stainless Steel Copper Brazed	SUS 316 99.9%Cu
3. Bottom Cover Plate	Stainless Steel	SUS 304
A1. 3/4" NPT Connector	Stainless Steel	SUS 304
A2. 3/4" NPT Connector	Stainless Steel	SUS 304
B1. 3/4" NPT Connector	Stainless Steel	SUS 304
B2. 3/4" NPT Connector	Stainless Steel	SUS 304

DIMENSIONS (Inches)

Size/Model	A	B	C	D	L
HX-100B	7-1/2	6	1-1/2	3	1-5/16
HX-160B	7-1/2	6	1-1/2	3	1-3/4
HX-200B	7-1/2	6	1-1/2	3	2-3/16

HX Series Compact Heat Exchangers

Heat Exchange; Heat Source to Radiant Side (Btu/h)	Heat Source Side (Boiler)			Radiant Side		
	Temperature Drop $\Delta T = 30^\circ\text{F}$ GPM	Pressure Drop		Temperature Drop $\Delta T = 20^\circ\text{F}$ GPM	Pressure Drop	
		Ft. of Hd.	PSI		Ft. of Hd.	PSI
HX-100B (10 plates)						
10,000	0.7	0.28	0.12	1.0	0.39	0.17
15,000	1.0	0.58	0.25	1.5	0.85	0.37
20,000	1.4	1.02	0.44	2.0	1.46	0.63
25,000	1.7	1.55	0.67	2.5	2.24	0.97
30,000	2.1	2.19	0.95	3.0	3.16	1.37
35,000	2.4	2.93	1.27	3.6	4.23	1.83
40,000	2.8	3.79	1.64	4.1	5.45	2.36
HX-160B (16 plates)						
45,000	3.1	1.64	0.71	4.6	2.82	1.22
50,000	3.4	2.01	0.87	5.1	3.44	1.49
55,000	3.8	2.40	1.04	5.6	4.13	1.79
60,000	4.1	2.84	1.23	6.1	4.87	2.11
65,000	4.5	3.33	1.44	6.6	5.68	2.46
70,000	4.8	3.81	1.65	7.1	6.54	2.83
HX 200B (20 plates)						
75,000	5.2	2.73	1.18	7.6	4.92	2.13
80,000	5.5	3.07	1.33	8.1	5.57	2.41
85,000	5.8	3.47	1.50	8.6	6.24	2.70
90,000	6.2	3.86	1.67	9.1	6.95	3.01
95,000	6.5	4.27	1.85	9.6	7.72	3.34
100,000	6.9	4.71	2.04	10.1	8.50	3.68

Fluid - Heat source side =
Water @ 165 °F (mean)

Fluid - Radiant side =
30% Propylene Glycol in water @ 125 °F (mean)