

SUBMITTAL SHEET

JOB NAME		ITEM TAG
JOB LOCATION		PART NUMBER
CONTRACTOR	DATE	
ENGINEER APPROVAL	DATE	

MODULAR MANIFOLD END PAIR

M-8000

EPDM o-ring seals at all connections

Manifold connection: 1" NPT or 1 1/4" female on manifold isolation ball valves

Recommend Maximum number of circuits:

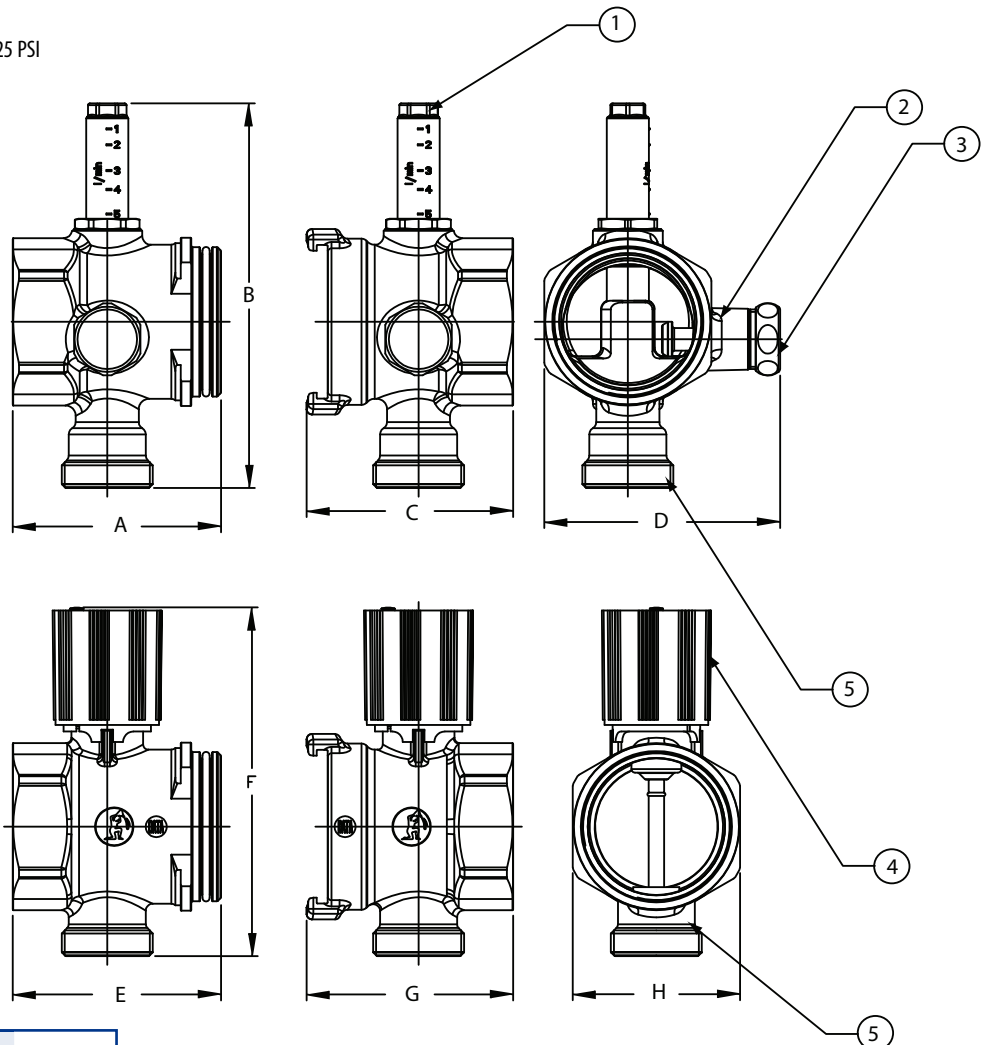
1" = 12 total circuits

1 1/4" = 14 total circuits

Max Working Pressure, Non-Shock (PSI): 125 PSI

Max Working Temp: 230 ° F

Max Flow: 1" 2 gpm per circuit up to 16 gpm
1 1/4" 2 gpm per circuit up to 20 gpm



DIMENSIONS

	1"	1 1/4"
A	2.22	2.34
B	4.33	4.33
C	2.21	2.32
D	2.65	2.65
E	2.16	2.34
F	3.92	3.92
G	2.13	2.32
H	1.88	1.88

MATERIAL SPECIFICATION

PART	MATERIAL	QTY
1. Flow Meter	High-Temperature Polymer	1
2. Balancing Valve & Memory Stop	Brass B124 UNS C37700	1
3. Cap	Brass B124 UNS C37700	1
4. Circuit Valve	High-Temperature Polymer	1
5. Piping Connection	Brass B124 UNS C37700	1

Pictured
M-8000
End Pair