

SUBMITTAL SHEET

JOB NAME	ITEM TAG
JOB LOCATION	PART NUMBER
CONTRACTOR	DATE
ENGINEER APPROVAL	DATE

MICRO-BALL GAUGE COCK

Model T-810

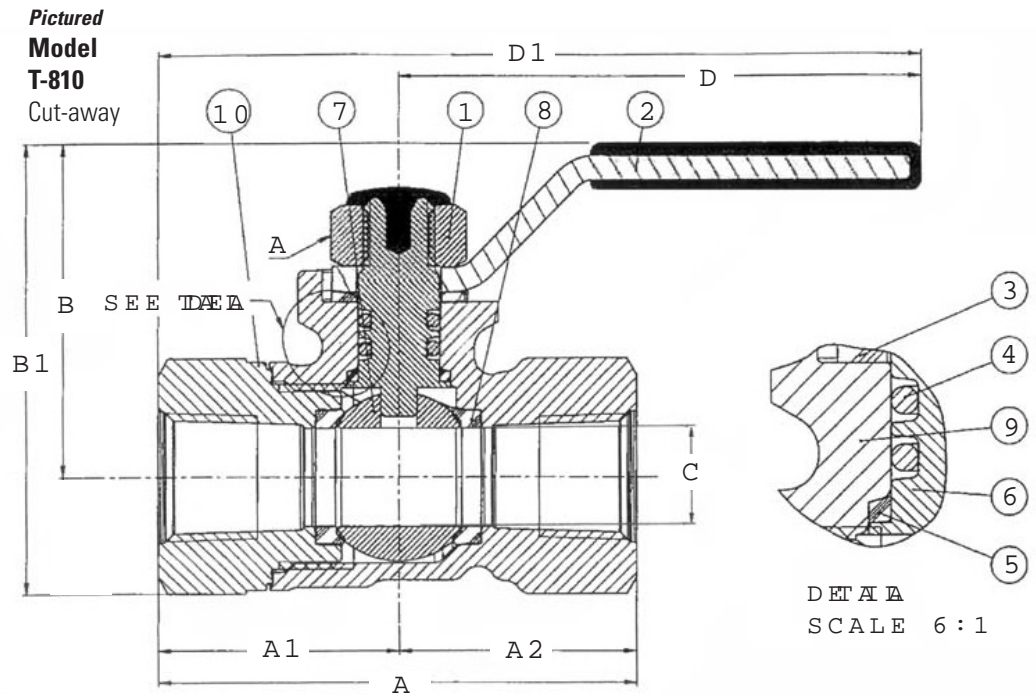
Manufactured in an ISO-9002 facility

Working Pressure, Non Shock (PSI)

Cold working pressure (CWP): 400 CWP

Saturated steam (WSP): 125 WSP

Pictured Model T-810



MATERIAL SPECIFICATION			
PART	MATERIAL	SPECIFICATION	
1	Handle nut	Dacromet coated steel	AISI-1010
2	Handle	Dacromet coated steel	A 283-D
3	Anti-friction washer	TMF PTFE*	Dupont Teflon
4	Stem o-rings	Viton	VITON
5	Thrust washer	TFM PTFE*	Dupont Teflon
6	Stem	Plated forged brass	ASTM B124-86, UNS C37700
7	Ball	Plated forged brass	ASTM B124-86, UNS C37700
8	Seats	TFM PTFE*	Dupont Teflon
9	Body	Forged Brass	ASTM B124-86, UNS C37700
10	End Adapter	Forged Brass	ASTM B124-86, UNS C37700

*Teflon is a registered trademark of Dupont

DIMENSIONS									
Size	A	A1	A2	B	B1	C	D	D1	
1/4"	1.61	.84	.77	1.06	1.44	.32	1.69	2.52	
1/8"	1.54	.77	.77	1.06	1.44	.32	1.69	2.46	