

SUBMITTAL SHEET

JOB NAME	ITEM TAG
JOB LOCATION	PART NUMBER
CONTRACTOR	DATE
ENGINEER APPROVAL	DATE

LEAD-FREE FULL PORT PEX END BALL VALVE

T-806NL

Lead-free design is suitable for all no-lead potable water installations, in full compliance of all lead-free plumbing laws.

Durable, compact forged brass body is ideal for confined plumbing installations. PEX crimp-type connections are not suitable for hydronic heating applications.

Maintenance-free dual O-ring, blowout-proof stem design is superior to gland-follower designs.

PEX barb end connections are designed for PEX tubing conforming to ASTM F 876 or F 877.

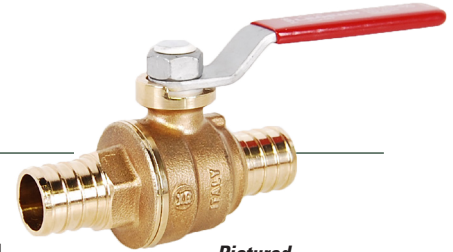
Self-cleaning chrome-plated ball resists mineral build-up and scaling in varying water conditions.

Available in nominal sizes 3/8" to 1".

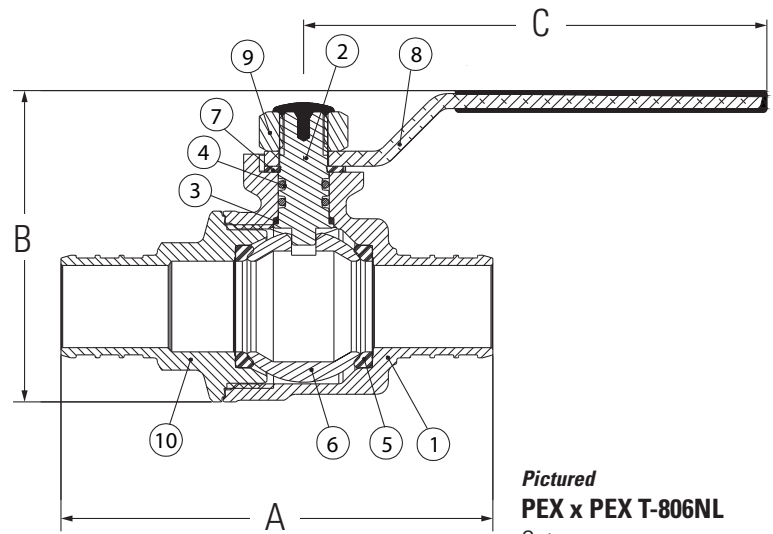
Working Pressure, Non Shock (PSI)

Cold working pressure (CWP): 400 psi
Saturated steam (WSP): Not suitable for steam service

- Third Party Tested and certified in compliance with U.S. Federal Public Law 111-380 (National lead-free plumbing law).
- End connections comply with ASTM F1807 (PEX)
- NSF approved to ANSI/NSF standard 61-G
- Manufactured in an ISO accredited facility



Pictured T-806NL



Pictured PEX x PEX T-806NL Cut-away

MATERIAL SPECIFICATION		
PART	MATERIAL	SPECIFICATION
1 Body	Lead-free forged brass	CW510L UNS C28500
2 Stem	Lead-free chrome plated forged brass	CW510L UNS C28500
3 Anti-friction thrust washer	PTFE	*Teflon
4 Stem O-rings (2)	Fluorocarbon	*Viton
5 Seats (2)	PTFE	*Teflon
6 Ball	Lead-free chrome plated forged brass	CW510L UNS C28500
7 Anti-friction washer	PTFE	*Teflon
8 Lever handle	Dacromet coated steel	ASTM A510 UNS G10060
9 Handle nut, tamper evident	Dacromet coated steel	ASTM A510 UNS G10060
10 End adapter	Lead-free forged brass	CW510L UNS C28500

*Teflon and Viton are registered trademarks of DuPont.

DIMENSIONS			
Size	A	B	C
3/8"	2.62	1.76	3.00
1/2"	2.62	1.76	3.00
3/4"	2.80	2.01	3.00
1"	3.44	2.64	3.70