

SUBMITTAL SHEET

JOB NAME	ITEM TAG
JOB LOCATION	PART NUMBER
CONTRACTOR	DATE
ENGINEER APPROVAL	DATE

LEAD-FREE FULL PORT PEX END BALL VALVE

T-805NL

Lead-free design is suitable for all no-lead potable water installations, in full compliance of all lead-free plumbing laws.

Durable, compact forged brass body is ideal for confined plumbing installations. PEX crimp-type connections are not suitable for hydronic heating applications.

Maintenance-free dual O-ring, blowout-proof stem design is superior to gland-follower designs.

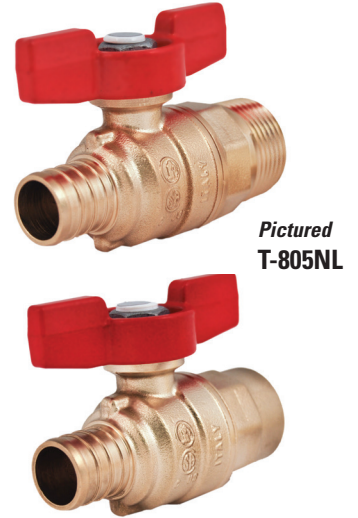
MNPT or Sweat x PEX barb end connections permit transition from tubing or pipe, to PEX tubing conforming to ASTM F 876 or F 877.

Self-cleaning chrome-plated ball resists mineral build-up and scaling in varying water conditions.

T-handle permits low-torque, simple quarter-turn operation, and is ideal for confined piping or tubing applications.

Available in nominal sizes 1/2" and 3/4".

- Third Party Tested and certified in compliance with U.S. Federal Public Law 111-380 (National lead-free plumbing law).
- End connections comply with ANSI /ASME B1.20.1 (MNPT) ANSI / ASME B16.18 (CTS Solder) ASTM F1807 (PEX)
- NSF approved to ANSI/NSF standard 61-G
- Manufactured in an ISO accredited facility



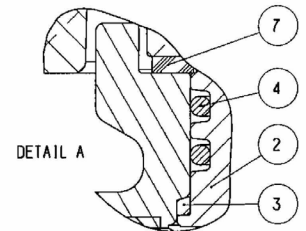
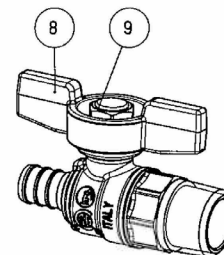
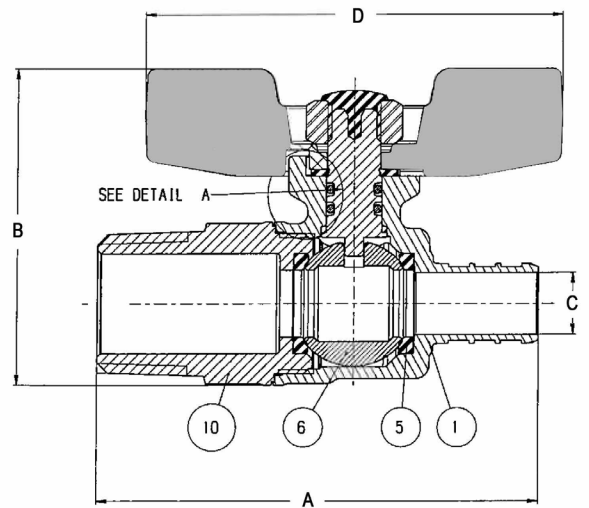
Working Pressure, Non Shock (PSI)

Cold working pressure (CWP):	400 psi
Saturated steam (WSP):	Not recommended for steam service

MATERIAL SPECIFICATION

PART	MATERIAL	SPECIFICATION
1 Body	Lead-free forged brass	CW510L UNS C28500
2 Stem	Lead-free chrome plated forged brass	CW510L UNS C28500
3 Anti-friction thrust washer	PTFE	*Teflon
4 Stem O-rings (2)	Fluorocarbon	*Viton
5 Seats (2)	PTFE	*Teflon
6 Ball	Lead-free chrome plated forged brass	CW510L UNS C28500
7 Anti-friction washer	PTFE	*Teflon
8 T-handle	Painted aluminum	ASTM B86
9 Handle nut, tamper evident	Dacromet coated steel	ASTM A510 UNS G10060
10 End adapter	Lead-free forged brass	CW510L UNS C28500

*Teflon and Viton are registered trademarks of DuPont.



DIMENSIONS

Size	A (MNPT x PEX)	A (SWT x PEX)	B	C	D	Wt. (lb)
1/2"	2.62	2.16	1.86	0.36	2.48	0.29
3/4"	2.90	2.68	2.12	0.54	2.48	0.45

Pictured MNPT x PEX T-805NL
Cut-away