

## SUBMITTAL SHEET

JOB NAME	ITEM TAG
JOB LOCATION	PART NUMBER
CONTRACTOR	DATE
ENGINEER APPROVAL	DATE

# 3-PIECE FULL PORT STAINLESS STEEL BALL VALVE

## T-717

Heavy-duty three-piece investment cast body design  
Bottom-loaded blowout-proof stem  
Equipped with a latch-lock handle  
Ideal for commercial and industrial applications  
The body center section lifts or swings out to permit servicing without end adapter removal

### Working Pressure, Non-Shock (PSI)

Saturated Steam: 150  
Cold Water, Oil, Gas: 1000

Conforms to Federal Specification WW-V-35C, Type II, Composition: SS, Style: 1

Conforms to MSS Standard Practice 110

Threaded end connections comply with ANSI / ASME B1.20.1

Manufactured in an ISO 9002 accredited facility



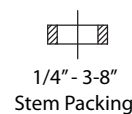
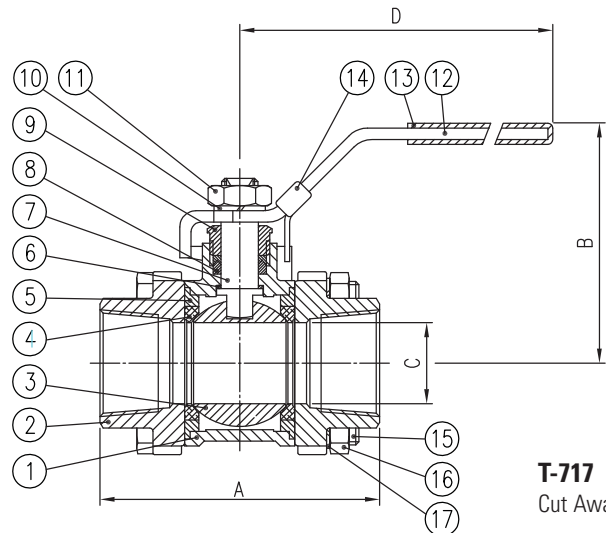
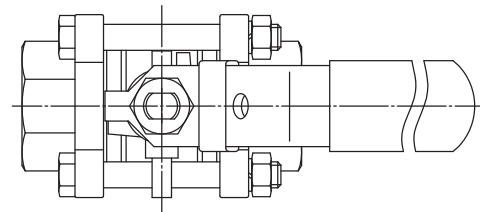
### MATERIAL SPECIFICATION

PART	MATERIAL	SPECIFICATION
1 Body	Investment cast stainless steel	ASTM A351 CF8M
2 End Adapter	Investment cast stainless steel	ASTM A351 CF8M
3 Ball	Stainless steel	1/4" & 3/8": ASTM A276 316
	Investment cast stainless steel	1/2" - 2": ASTM A351 CF8M
4 Seats (2)	PTFE	Dupont Teflon*
5 End adapter seal	PTFE	Dupont Teflon*
6 Thrust washer	PTFE	Dupont Teflon*
7 Stem	Stainless steel	ASTM A276 316
8 Stem packing (single & dual ring)	PTFE	Dupont Teflon*
9 Packing nut	Stainless steel	AISI 304
10 Split (lock) washer	Stainless steel	AISI 304
11 Handle nut	Stainless steel	AISI 304
12 Handle	Stainless steel	AISI 304
13 Handle sleeve	Vinyl	Commercial grade
14 Latch lock	Stainless steel	AISI 304
15 Bolt	Stainless steel	AISI 304
16 Bolt nut	Stainless steel	AISI 304
17 Split (lock) washer	Stainless steel	AISI 304

\*TEFLON IS A REGISTERED TRADEMARK OF DUPONT

### DIMENSIONS

Size	A	B	C	D
1/4"	2.23	2.13	0.46	4.02
3/8"	2.23	2.13	0.50	4.02
1/2"	2.59	2.52	0.59	5.20
3/4"	3.00	2.64	0.79	5.20
1"	3.39	2.95	0.98	6.57
1-1/4"	4.05	3.15	1.26	6.57
1-1/2"	4.70	3.54	1.50	7.56
2"	5.17	3.86	1.97	7.56



**T-717**  
Cut Away