

## SUBMITTAL SHEET

JOB NAME	ITEM TAG
JOB LOCATION	PART NUMBER
CONTRACTOR	DATE
ENGINEER APPROVAL	DATE

### NO LEAD TRADITIONAL MULTI-TURN STRAIGHT CHROME SUPPLY STOPS

#### T/S-582NL, T-582PNL, S-582ETNL, T/S-584NL and T-591PNL

Compact, no lead brass body is machined from a single piece of barstock, providing the highest level of durability and strength.

Thermoplastic stems (except sweat configurations) resist scale and debris build-up better than metallic stems, even in hard water conditions.

Each stop is individually packaged, preventing connection component loss and protecting the stop from contamination.

Available in seventeen configurations, including compression, PEX, sweat, extended-tube and FNPT inlet connections.

#### Working Pressure, Non Shock (PSI)

Cold working pressure (CWP): 125 PSI

Maximum service temperature: 180°F\*

\*Temperatures above 120°F increase the risk of scalding. Consult local code for temperature requirements.



**Pictured:**  
OD Compression

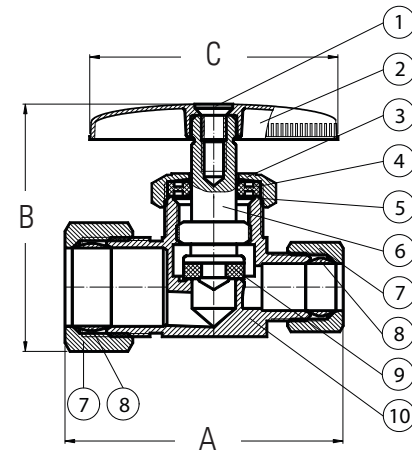


**Pictured:**  
FNPT x Compression

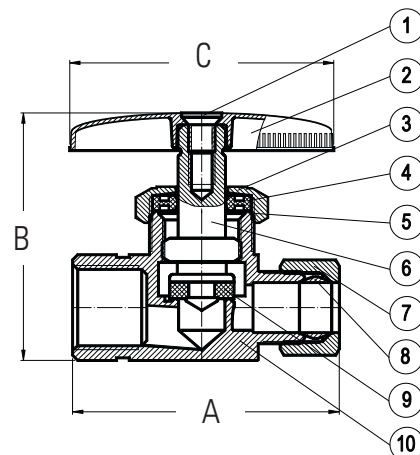


**Pictured:**  
CPVC x Compression

DIMENSIONS - Inch			
(Inlet x Outlet)	A	B (closed)	C
1/4" OD x 1/4" OD	2.12	1.88	2.02
3/8" OD x 3/8" OD	2.10	1.85	2.02
3/8" FNPT x 3/8" OD	2.04	1.88	2.02
1/2" FNPT x 3/8" OD	1.93	1.93	2.02
5/8" OD x 3/8" OD	2.26	2.00	2.02
1/2" CPVC x 3/8" OD	2.74	2.00	2.02
1/2" PEX x 3/8" OD	2.22	1.89	2.02
1/2" PEX x 1/2" PEX	2.34	1.89	2.02
1/2" Sweat x 3/8" OD	1.88	1.88	2.02
1/2" Sweat extended-tube x 3/8" OD	6.57	2.69	2.02
1/2" OD x 1/2" OD	2.28	1.96	2.02
1/2" FNPT x 1/2" OD	2.02	1.93	2.02
5/8" OD x 1/2" OD	2.35	2.00	2.02
1/2" Sweat x 1/2" OD	1.98	1.88	2.02
1/2" FNPT x 1/2" or 7/16" OD Slip-joint	2.02	1.93	2.02
5/8" OD x 1/2" or 7/16" OD Slip-joint	2.34	1.99	2.02
1/2" Tubing sweat x 1/2" or 7/16" OD Slip-joint	1.98	1.89	2.02



**Pictured:**  
OD x OD  
Compression  
Cut-away view



**Pictured:**  
FNPT x OD  
Compression  
Cut-away view

#### Certifications/Listings:

Third-Party certified.

ANSI/NSF 61: Drinking water system components health effects.

#### Standards:

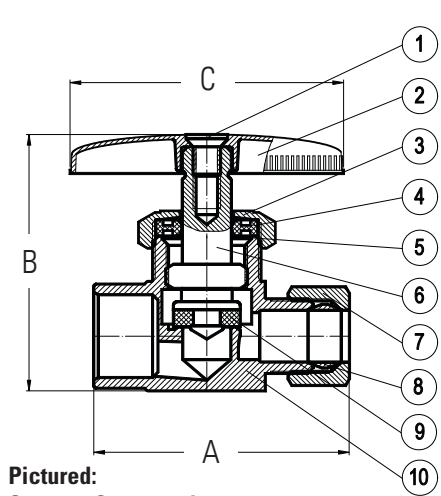
ANSI/ASME B16.51: Copper and copper alloy press-connect pressure fittings.

ANSI/ASME B16.18: Cast copper alloy solder joint pressure fitting.

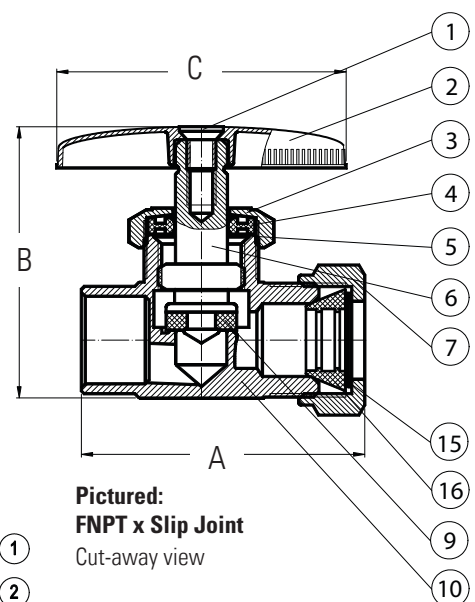
## SUBMITTAL SHEET

JOB NAME	ITEM TAG
JOB LOCATION	PART NUMBER
CONTRACTOR	DATE
ENGINEER APPROVAL	DATE

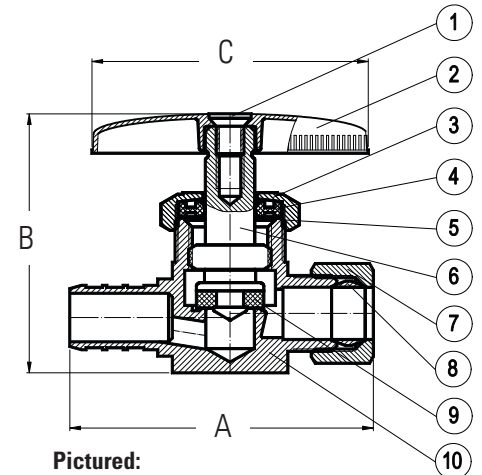
MATERIAL SPECIFICATION	
PART	MATERIAL
1 Handle screw	Chrome plated brass
2 Handle	Chrome plated die-cast brass
3 Bonnet	Chrome plated forged brass
4 Stem packing	EPDM rubber
5 Anti-friction packing support washer	Stainless steel
6 Stem	Acetal copolymer (Sweat configurations: CP no lead forged brass)
7 Compression nut	Chrome plated forged brass
8 Compression ferrule	No lead forged brass
9 Seat washer	EPDM rubber
10 Body	No lead chrome plated forged brass
11 Extension tube (model S-582ETNL only)	No lead chrome plated brass
12 Escutcheon (model S-582ETNL only)	Stainless steel
13 Adapter gasket (1/2" CPVC T-582NL only)	NBR (Buna-N) rubber
14 CPVC tubing adapter (1/2" CPVC T-582NL only)	Virgin CPVC resin
15 Anti-friction washers (two) (model T/S-584NL only)	No lead brass
16 Slip-joint gasket (model T/S-584NL only)	EPDM rubber



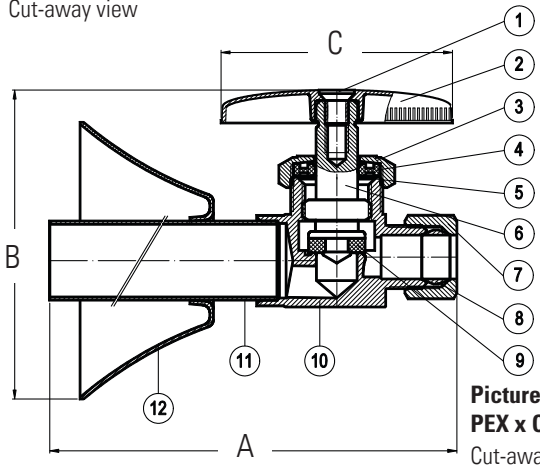
**Pictured:**  
**Sweat x Compression**  
Cut-away view



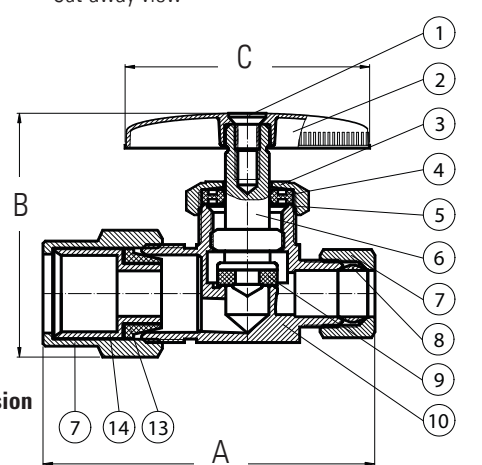
**Pictured:**  
**FNPT x Slip Joint**  
Cut-away view



**Pictured:**  
**PEX x Compression**  
Cut-away view



**Pictured:**  
**PEX x Compression**  
Cut-away view



**Pictured:**  
**CPVC x Compression**  
Cut-away view