

SUBMITTAL SHEET

| | |
|-------------------|-------------|
| JOB NAME | ITEM TAG |
| JOB LOCATION | PART NUMBER |
| CONTRACTOR | DATE |
| ENGINEER APPROVAL | DATE |

HOSE BIBB VACUUM BREAKER

T-553 and T-553C

- FNPT x MNPT garden hose thread connections.
- Durable forged brass construction.
- Automatic vacuum interruption prevents backsiphonage.
- Breakaway set screw for tamper-resistant installation.
- Available in plain or chrome plated finishes.
- Not for continuous pressure installations.

Working Pressure, Non Shock (PSI)

- Cold working pressure (CWP): Max 125
- Saturated steam (WSP): Not suitable for steam service
- Maximum service temperature: 180°F

| MATERIAL SPECIFICATION | | |
|------------------------|---------------------------------|------------------------------|
| PART | MATERIAL | SPECIFICATION |
| 1 Body | Forged brass | JIS 3605 Alloy |
| 2 Washer | Neoprene | Commercial grade 55 |
| 3 Piston seal retainer | Acetal resin | FM090 Acetal copolymer (POM) |
| 4 Piston seal | NBR (Nitrile) rubber | Commercial grade |
| 5 Piston | Acetal resin | FM090 Acetal copolymer (POM) |
| 6 Piston spring | Stainless steel | AISI 304 |
| 7 Setscrew | Chrome plated mild carbon steel | AISI 12L14 (ASTM A108) |

| DIMENSIONS | | |
|------------|------|------|
| Size | A | B |
| 3/4" | 1.25 | 1.26 |

Certifications/Listings:

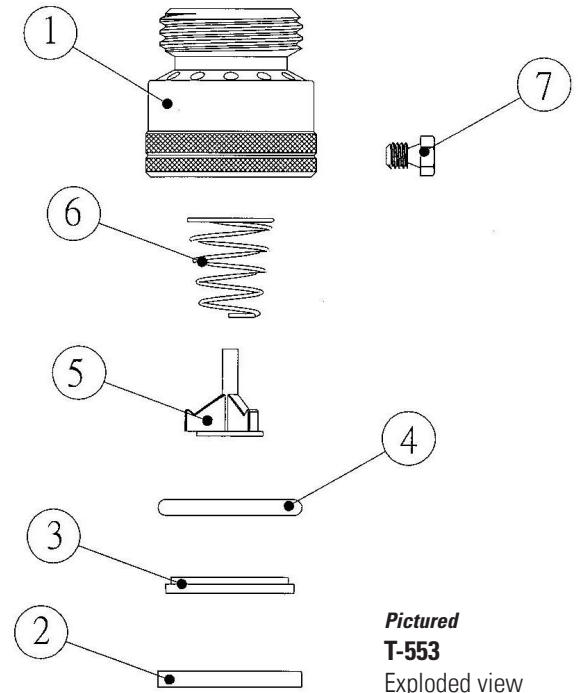
- Third-party certified.
- ASSE 1011: Performance requirements for backflow preventers with an intermediate atmospheric vent.
- CSA B64.2: Backflow preventers and vacuum breakers.

Standards:

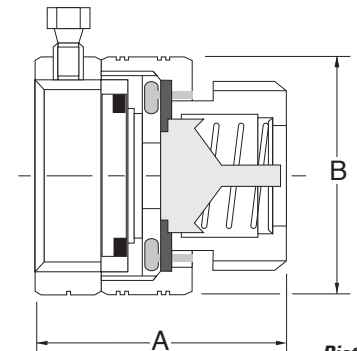
- ANSI/ASME B1.20.7: Hose coupling screw threads, (Inch).



Pictured T-553



Pictured T-553 Exploded view



Pictured T-553 Exploded view