

SUBMITTAL SHEET

JOB NAME	ITEM TAG
JOB LOCATION	PART NUMBER
CONTRACTOR	DATE
ENGINEER APPROVAL	DATE



LEAD-FREE UNDER-SINK THERMOSTATIC MIXING VALVE

T-47NL

The Legend T-47NL 3/8" (10mm) compression-fitting, thermostatic mixing valve sustains and limits hot water to an adjustable temperature between 80° - 120°F (27° - 49°C) and with a flow rate between 0.25 and 3.2 GPM.

The mixing valve is listed to ASSE 1070 standard (single fixture applications). The flow characteristics of the T-47NL provide temperature control with low pressure drop. The T-47NL incorporates dual check valves to prevent crossflow and integral screens to filter out debris. A cap is included for three port applications.

- Lead Free Brass Body construction.
- 3/8" Compression fittings for easy install between stop valves and faucet
- Cap with integral temperature adjustment tool



Pictured:
T-47NL

DIMENSIONS

NOMINAL SIZE	A	B	C	D
3/8"	3.18"	1.91"	3.82"	1.69"

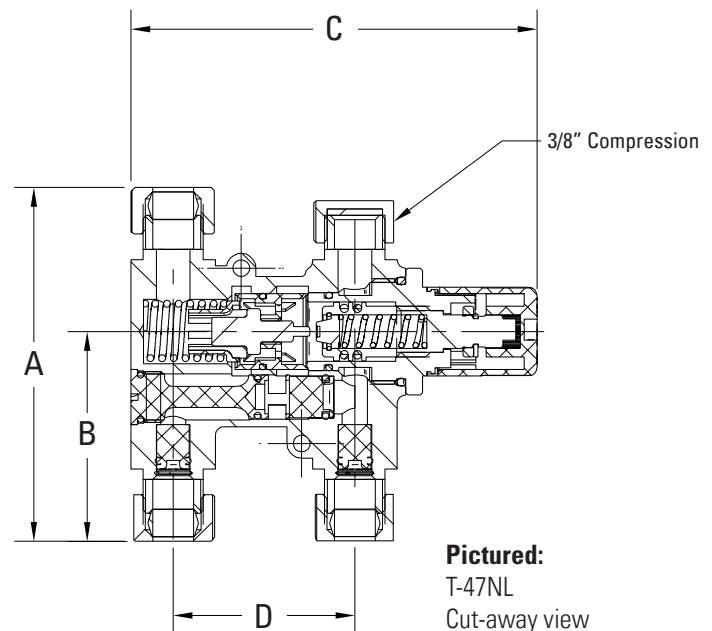
TEMPERATURE & PRESSURE REQUIREMENTS

- 1 Minimum supply pressure: 30 PSI
- 2 Minimum HW Inlet/Outlet temperature differential: 15°F
- 3 Maximum HW/CW pressure differential: 25%
- 4 Hot Inlet temperature range: 120° - 200°F (49° - 93°C)
- 5 Cold Inlet temperature range: 38° - 80°F (3° - 27°C)
- 6 The high outlet temperature is lower than: 120°F (49°C)
- 7 Maximum supply Pressure: 150 PSI (10.3 bar)
- 8 Flow Rates: 0.25 - 3.2gpm

See IOM sheet for complete installation, operation and adjustment procedures.

Certifications & Specifications:

NSF/ANSI 372: Drinking water system components - Lead content.
NSF/ANSI 61: Drinking water system components - Health effects.
ASSE 1070/ASME A112.1070/CSA B125.70: Performance Requirements for Water Temperature Limiting Devices.



Pictured:
T-47NL
Cut-away view

SUBMITTAL SHEET

JOB NAME	ITEM TAG
JOB LOCATION	PART NUMBER
CONTRACTOR	DATE
ENGINEER APPROVAL	DATE

MATERIAL SPECIFICATION			
PART	MATERIAL	SPECIFICATION	
1	Handwheel	Polycarbonate	S-3001R
2	Circlip	Stainless Steel	AISI 304
3	Locating Ring	POM	M-90
4	Adapter	Lead free, forged brass	C46500
5	O-Ring	EPDM	Shore A, 70
6	Stem	Lead free, forged brass	C46500
7	Stem Spring	Stainless Steel	AISI 304
8	O-Ring	EPDM	Shore A, 70
9	O-Ring	EPDM	Shore A, 70
10	Stem Spring Base	Lead free, forged brass	C46500
11	Circlip	Stainless Steel	AISI 304
12	Closure Piston	PSU	P-1700NT-11
13	O-Ring	EPDM	Shore A, 70
14	Thermostatic Sensor	Copper-encased Paraffin Wax	Commercial Grade
15	Flow Diverter	PSU	P-1700NT-11
16	Spring	Stainless Steel	AISI 304
17	Body	Lead free, forged brass	C46500
18	Check Valve	EPDM, POM, Stainless Steel	Shore A, 70 / M-90 / AISI 304
19	Screen Strainer	Stainless Steel	AISI 304
20	Circlip	Stainless Steel	AISI 304
21	Ferrule	Copper-zinc alloy	CW507L
22	Compression Nut	Lead free, forged brass	C46500
23	Gasket	EPDM	Shore A, 70
24	Cap	Lead free, forged brass	C46500
25	Check Valve	EPDM, POM, Stainless Steel	Shore A, 70 / M-90 / AISI 304
26	O-Ring	EPDM	Shore A, 70
27	O-Ring	EPDM	Shore A, 70
28	Blocking Rod	POM	M-90

