

## SUBMITTAL SHEET

JOB NAME	ITEM TAG
JOB LOCATION	PART NUMBER
CONTRACTOR	DATE
ENGINEER APPROVAL	DATE

# WAFER-TYPE, DUCTILE IRON BUTTERFLY VALVE

## T-335 & T-337 Series Wafer Butterfly

- Epoxy coated lug body allows easy positioning between flanges
- Extended neck will clear most piping insulation applications
- Bi-directional flow
- 100% Factory tested
- Rigid seat allows positive, bubble-tight shutoff
- Raised seat face eliminates the need for companion flange gaskets
- Standard Heavy-duty lockable ten-position handle
- Optional pre-installed gear-operator and hand wheel.

### Working Pressure, Non Shock (PSI)

- Cold working pressure (CWP): 300 psi
- Maximum Temperature: 180 F
- Saturated Steam: Not recommended for steam applications



**Pictured:**  
T-335/ 337 Lever Handle



**Pictured:**  
T-335G/ 337G Gear Operator

### MATERIAL SPECIFICATION

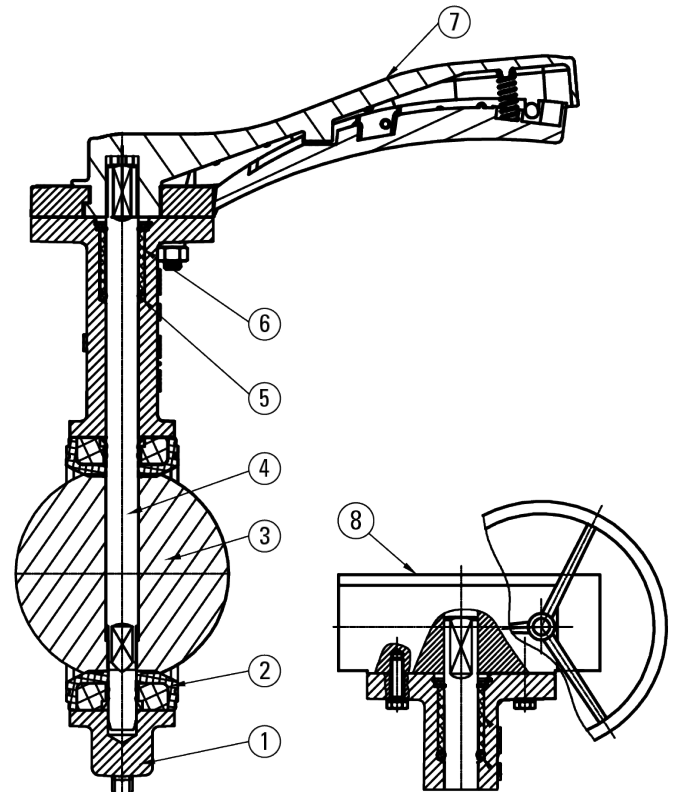
PART	MATERIAL
1 Body	Ductile Iron, epoxy coated
2 Seat	EPDM (T-335 Series) NBR - Buna-N (T-337 Series)
3 Disc	Aluminum Bronze (T-335AB / T337AB) Ductile Iron (T-335DI / T-337DI) Stainless Steel (T-335SS / T-337SS)
4 Stem	420 Stainless Steel
5 O-Ring	NBR - Buna N
6 Bushing	PTFE
7 Handle	Cast Aluminum
8 Gear Operator	Ductile iron body

### Certifications/Listings:

- Third-party certified.
- NSF/ANSI 61: Drinking water system components - Health effects.

### Standards:

- MSS SP-67: Standard practice covering butterfly valves
- AWWA C550: Protective interior coatings for valves and hydrants
- ASME B16.5 - Class 150: Pipe flanges & flanged fittings
- ISO 5752 Series 20: Metal valves - Face-to-face and center-to-face dimensions.



**Pictured:**  
T-335/ 337 Lever Handle

**Pictured:**  
T-335G/ 337G Gear Operator

## DIMENSIONS

Size	A	B	C	D	E ISO 5752	F	G	H	ISO 5211*	R	SxS	T	Gear Ratio	Torque ft./lb
2"	5.53	2.54	1.18	2.12	1.69	6.90	6.20	5.90	F07	0.43	0.35	2.75	24:1	17
2-1/2"	6.02	2.83	1.18	2.57	1.81	6.90	6.20	5.90	F07	0.43	0.35	2.75	24:1	22
3"	6.20	3.39	1.18	3.14	1.81	6.90	6.20	5.90	F07	0.43	0.35	2.75	24:1	26
4"	6.93	3.94	1.18	4.13	2.05	8.90	6.20	5.90	F07	0.43	0.43	2.75	24:1	40
5"	7.52	4.41	1.18	5.11	2.20	8.90	6.20	5.90	F07	0.43	0.55	2.75	24:1	57
6"	7.97	5.04	1.18	6.13	2.20	8.90	6.20	5.90	F07	0.43	0.55	2.75	24:1	76
8"	9.59	6.30	1.57	8.14	2.36	12.0	9.40	11.8	F10	0.55	0.67	4.00	30:1	140
10"	10.75	7.64	1.57	9.97	2.68	14.2	9.40	11.8	F10	0.55	0.87	4.00	30:1	253
12"	12.24	8.78	1.57	11.89	3.07	14.2	9.40	11.8	F10	0.55	0.87	4.00	50:1	319

\*Note: This information is applicable to the actuator mounting flange portion of the valve's body.

## CV FACTORS

VALVE SIZE	10	20	30	40	50
2"	1	4	15	29	46
2-1/2"	1	8	26	44	66
3"	2	22	43	71	112
4"	8	37	78	118	192
5"	9	53	98	170	288
6"	13	86	175	297	479
8"	19	121	254	429	754
10"	37	178	365	728	1215
12"	69	240	492	1008	1696

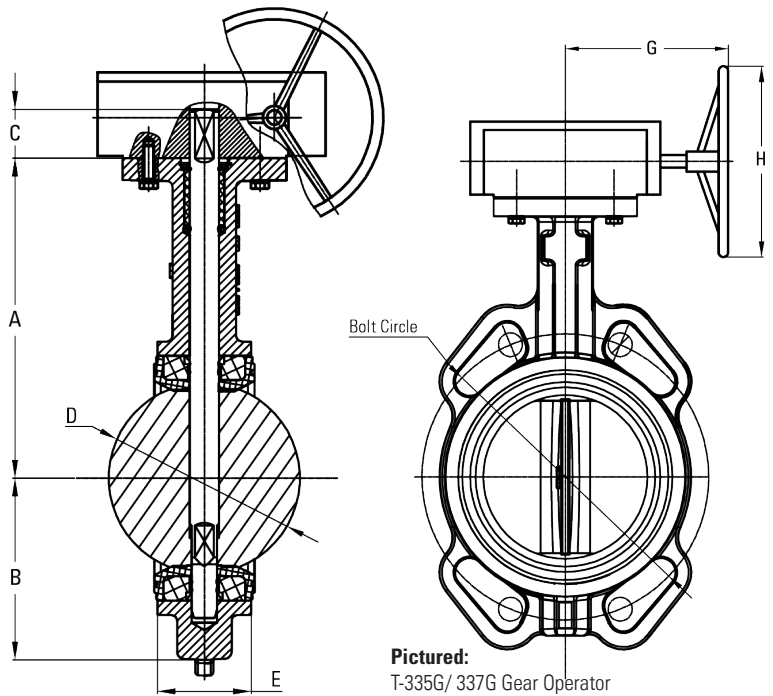
## CV FACTORS CONTINUED

VALVE SIZE	60	70	80	90
2"	66	73	86	87
2-1/2"	98	141	177	175
3"	171	256	338	360
4"	310	505	689	740
5"	470	759	1131	1218
6"	757	1190	1715	1900
8"	1247	2096	3376	3765
10"	2005	3342	5814	6661
12"	2868	4861	8455	10066

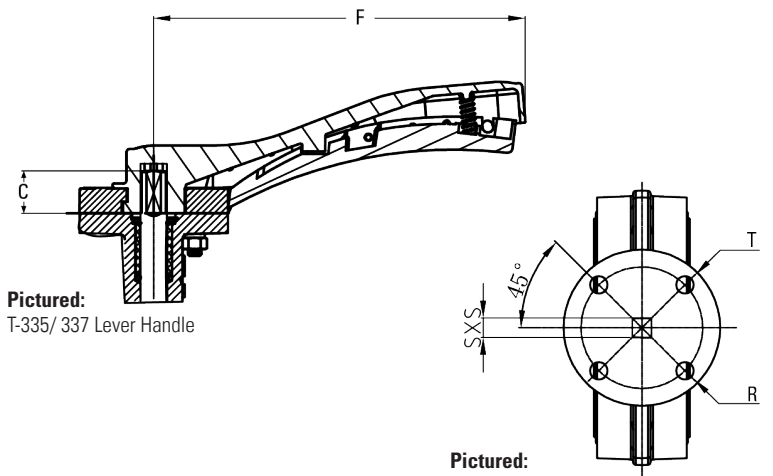
CV Factors expressed in GPM at various disc openings (in degrees):

## CLASS 125/150 FLANGE DATA

Nominal Size	Bolt Circle Diameter	Bolt Size	Number of Bolt Holes	Flange Diameter
2"	4.75	5/8"-11	4	6"
2-1/2"	5.5	5/8"-11	4	7"
3"	6	5/8"-11	4	7.50"
4"	7.5	5/8"-11	8	9"
5"	8.5	3/4"-10	8	10"
6"	9.5	3/4"-10	8	11"
8"	11.75	3/4"-10	8	13.50"
10"	14.25	7/8"-9	12	16"
12"	17	7/8"-9	12	19"



**Pictured:**  
T-335G/ 337G Gear Operator



**Pictured:**  
T-335/ 337 Lever Handle

**Pictured:**  
Mounting Pad & Stem