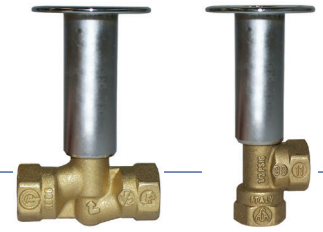


**SUBMITTAL SHEET**

JOB NAME	ITEM TAG
JOB LOCATION	PART NUMBER
CONTRACTOR	DATE
ENGINEER APPROVAL	DATE

**MULTI-TURN LOG LIGHTER VALVES**

**T-3200, T-3200PB, T-3201, T-3201PB**



**Pictured T-3200**

**Pictured T-3201**

Durable, compact design is ideal for natural fireplace log lighting, or continuous-burn artificial gas log sets.

Complete with highly-polished, decorative escutcheons in chrome or brass finishes, with matching keys.

No escutcheon extension kit needed: Escutcheons and valve body are threaded 1/2" NPSM, permitting infinite extension lengths with the use of a bronze coupling and red brass nipple of desired length.

Additional key lengths available separately, in 8", 10" and 12" lengths.

Certified for use on natural gas or LP gas systems.

Available in angle or straight pattern configurations, with 1/2" FNPT end connections.

**Working Pressure, Non Shock (PSI)**

Cold working pressure (CWP): 100 psi  
Saturated steam (WSP): Not suitable for steam service.  
Maximum Service Temp: 180°F

**BTU rating at 7 in. WC**

	1" Press Drop	0.3" Press Drop
T-3200 Straight-Pattern	118,000 btuh	65,000 btuh
T-3201 Angle-Pattern	182,000 btuh	100,000 btuh

MATERIAL SPECIFICATION		
PART	MATERIAL	SPECIFICATION
1 Body	Forged brass	ASTM B124 UNS alloy C37700
2 O-ring	Nitrile (NBR) rubber	Commercial grade
3 Anti-friction washer	Synthetic fiber	Commercial grade
4 Stem O-ring	Viton	Commercial grade
5 Stem	Forged brass	ASTM B124 UNS alloy C37700
6 Escutcheon	Forged brass	ASTM B124 UNS alloy C37700
7 Key	Aluminum	Commercial grade

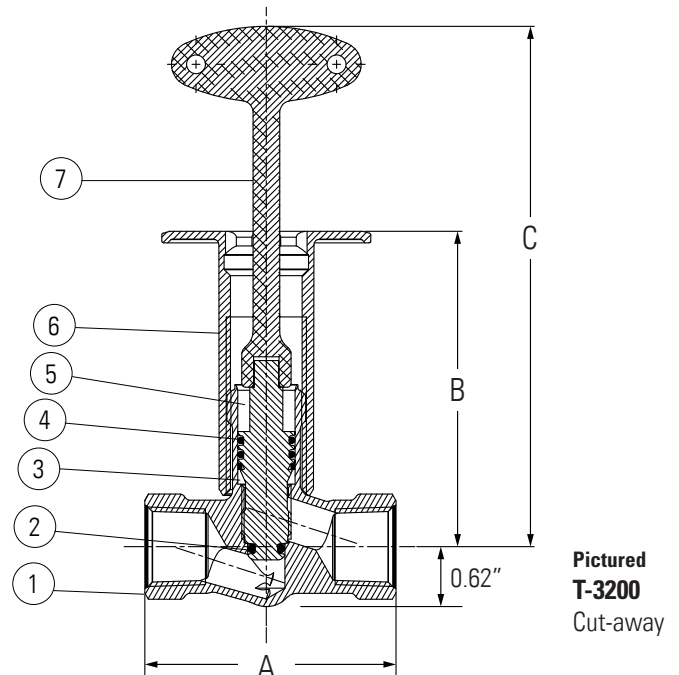
DIMENSIONS			
Nominal Pipe Size	A	B	C
1/2" FNPT x FNPT		min/max	min/max
T-3200 Straight-pattern	2.60	3.20/4.00	5.40/5.80
T-3201 Angle-pattern	0.96	3.20/4.00	5.20/5.60
Escutcheon length: 2.75"			
Key length: 4"			

**Certifications/Listings:**

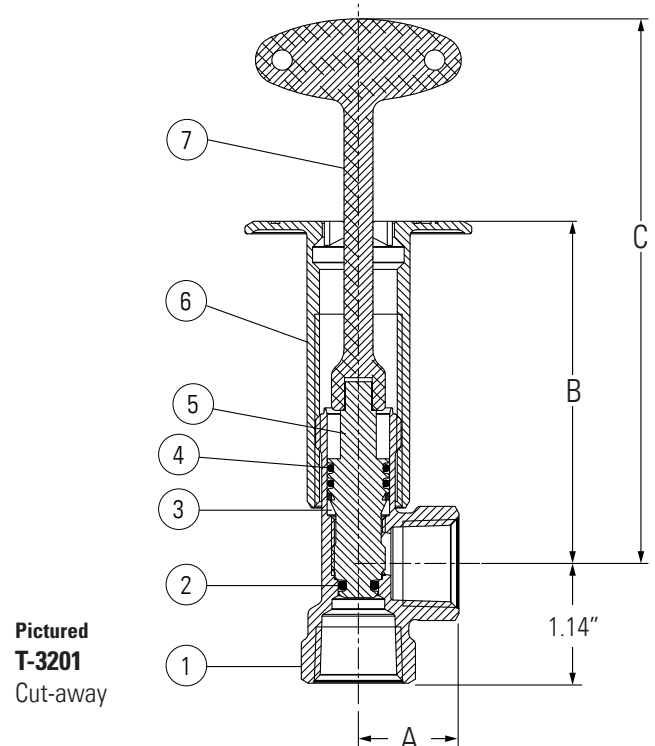
ANSI Z21.15: Gas appliance connector valve for 1/2 lb. systems.

**Standards:**

ANSI/ASME B1.20.1: Pipe threads, general purpose, Inch



**Pictured T-3200 Cut-away**



**Pictured T-3201 Cut-away**