

## SUBMITTAL SHEET

JOB NAME

ITEM TAG

JOB LOCATION

PART NUMBER

CONTRACTOR

DATE

ENGINEER APPROVAL

DATE

# LEAD-FREE FULL PORT TUBING COMPRESSION BALL VALVE

## T-2009NL

Lead-free design is suitable for all no-lead potable water installations, in full compliance of all lead-free plumbing laws.

Dezincification-resistant (DZR) forged brass construction resists corrosion from exposure to a wide variety of water conditions.

Tubing compression connections permit easy, convenient, lead-free compliant replacement of a worn, leaded valve, without the need for sweating.

Quarter-turn, positive-shutoff full port design, make the T-2009NL the ideal replacement for a leaking multi-turn, drip-tight, reduced port gate valve.

Self-cleaning chrome-plated ball resists mineral build-up and scaling.

Available with reversible-position handle, offering installation flexibility in confined applications.

Available in CTS sizes 1/2" - 1"

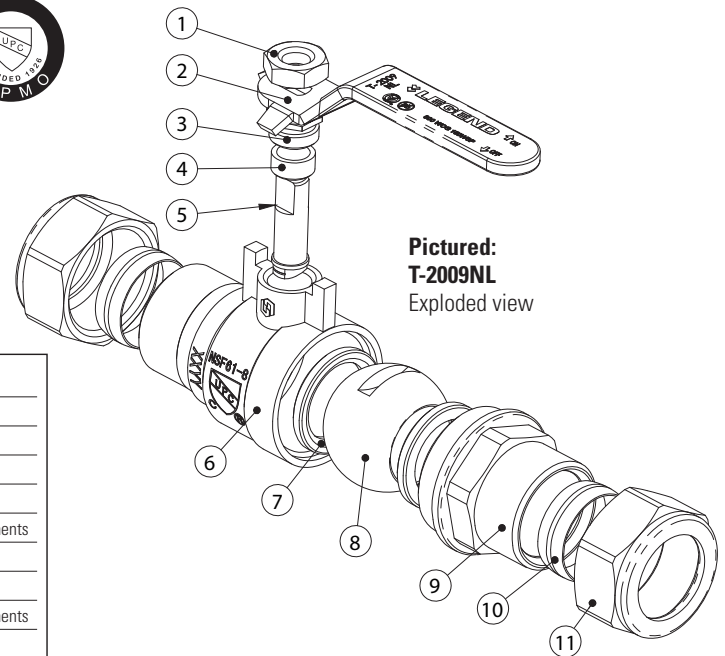
### Working Pressure, Non Shock (PSI)

Cold working pressure (CWP): 1/2"-1" 600 CWP  
Saturated steam (WSP): 150 p.s.i.

- Third-party tested and certified in compliance with U.S. Federal Public Law 111-380 (National lead-free plumbing law).
- UPC / IAMPO certified to ANSI / NSF Standard 61-G.
- Manufactured in an ISO accredited facility.



**Pictured:  
T-2009NL**



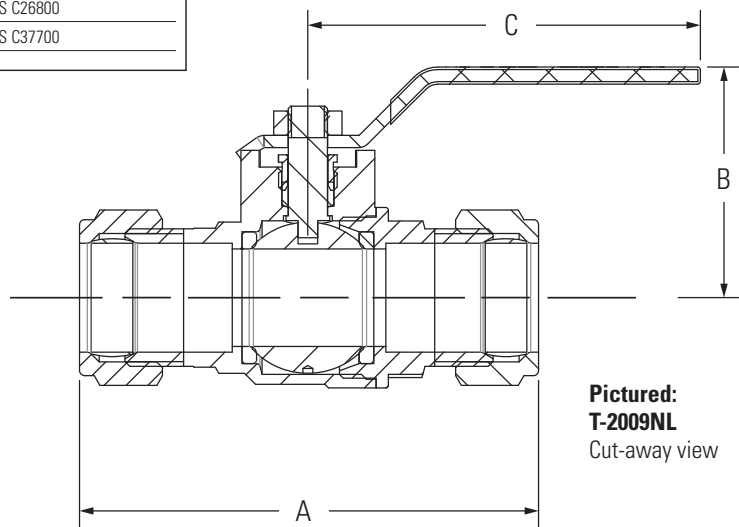
**Pictured:  
T-2009NL  
Exploded view**

### MATERIAL SPECIFICATION

PART	MATERIAL	SPECIFICATION
1 Handle nut	Zinc plated steel	ASME SA6, SA283 Grade C
2 Lever handle	Zinc plated steel	ASME SA6, SA283 Grade C
3 Packing nut	Forged brass	ASTM B455 UNS C38500
4 Stem packing	PTFE	Comercial grade, meets NSF requirements
5 Stem	Lead-free forged brass	UNS Alloy C46500
6 Body	Lead-free forged brass	UNS Alloy C46500
7 Seats (2)	PTFE	Comercial grade, meets NSF requirements
8 Ball	Lead-free chrome plated forged brass	UNS Alloy C46500
9 End adapter	Lead-free forged brass	UNS Alloy C46500
10 Compression ferrule (2)	Lead- free forged brass	ASTM B587 UNS C26800
11 Compression nut (2)	Forged brass	ASTM B124 UNS C37700

### DIMENSIONS

Size	A	B	C
1/2"	3.08	1.69	2.95
3/4"	3.72	1.86	3.17
1"	4.07	2.35	4.17



**Pictured:  
T-2009NL  
Cut-away view**