

## SUBMITTAL SHEET

JOB NAME \_\_\_\_\_ ITEM TAG \_\_\_\_\_

JOB LOCATION \_\_\_\_\_ PART NUMBER \_\_\_\_\_

CONTRACTOR \_\_\_\_\_ DATE \_\_\_\_\_

ENGINEER APPROVAL \_\_\_\_\_ DATE \_\_\_\_\_

# LEAD-FREE FULL PORT TUBING COMPRESSION BALL VALVE WITH DRAIN

## T-2002NL

Lead-free design is suitable for all no-lead potable water installations, in full compliance of all lead-free plumbing laws.

Dezincification-resistant (DZR) forged brass resists corrosion from exposure to a wide variety of water conditions.

Bubble-tight shutoff and capped waste port permit isolation, drain down and servicing of the plumbing system, for maintenance or to prevent freeze-up.

Tubing compression connections permit easy, convenient, lead-free compliant replacement of a worn, leaded valve, without the need for sweating.

Available in CTS sizes 1/2" to 1".

- Third-party tested and certified in compliance with U.S. Federal Public Law 111-380 (National lead-free plumbing law).
- UPC / IAPMO certified to ANSI / NSF Standard 61-G.
- End connections comply with:  
ANSI / ASME B1.20.1 (FNPT)  
ANSI / ASME B16.18 (CTS Solder)
- Conforms to MSS SP-110
- Manufactured in an ISO accredited facility.



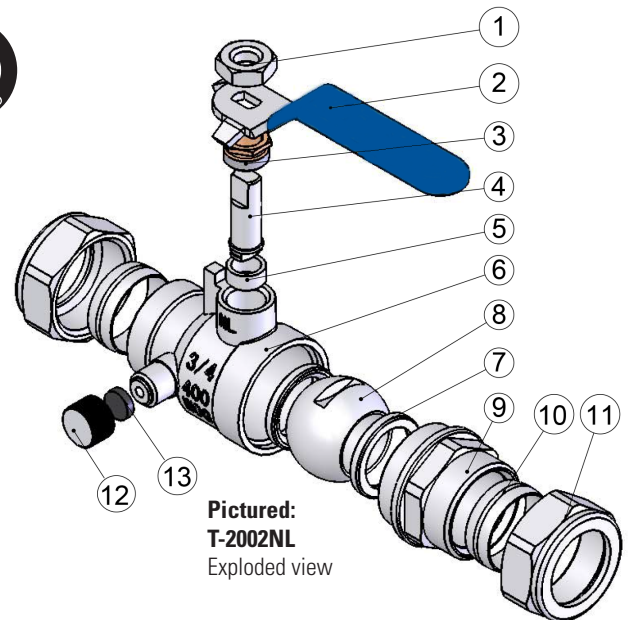
**Pictured:  
T-2002NL**

### Working Pressure, Non Shock (PSI)

Cold working pressure (CWP): 1/2" -1" 400 CWP  
Saturated steam (WSP): Not suitable for steam service.

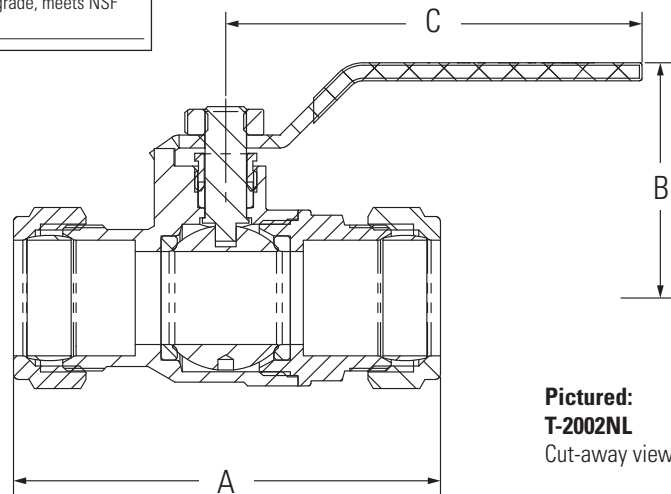


MATERIAL SPECIFICATION		
PART	MATERIAL	SPECIFICATION
1	Handle nut	Zinc plated steel ASME SA6, SA283 Grade C
2	Lever handle	Zinc plated steel ASME SA6, SA283 Grade C
3	Packing nut	Forged brass ASTM B455 UNS C38500
4	Stem packing	PTFE Commercial grade, meets NSF requirements
5	Stem	Lead-free forged brass UNS Alloy C46500
6	Body	Lead-free forged brass UNS Alloy C46500
7	Seats (2)	PTFE Commercial grade, meets NSF requirements
8	Ball	Lead-free chrome plated forged brass UNS Alloy C46500
9	End adapter	Lead-free forged brass UNS Alloy C46500
10	Compression ferrule (2)	Lead-free forged brass ASTM B587 UNS C26800
11	Compression nut (2)	Forged brass ASTM B124 UNS C37700
12	Bleeder cap	Forged brass ASTM B16 UNS C36000
13	Cap gasket	NBR rubber Commercial grade, meets NSF requirements



**Pictured:  
T-2002NL  
Exploded view**

DIMENSIONS			
Size	A	B	C
1/2"	3.08	1.69	2.95
3/4"	3.72	1.86	3.17
1"	4.07	2.35	4.17



**Pictured:  
T-2002NL  
Cut-away view**