

SUBMITTAL SHEET

JOB NAME	ITEM TAG
JOB LOCATION	PART NUMBER
CONTRACTOR	DATE
ENGINEER APPROVAL	DATE

CPVC COMPACT-PATTERN BALL VALVE FOR CPVC CTS BONE-COLORED TUBING

S-605

Constructed of heavy-duty, corrosion-proof, virgin CPVC resin.

Plumbing sizes 1/2" through 1" feature a full-port ball design.

PTFE seats and EPDM stem O-ring assure maintenance-free operation and maximum service life.

Compact-pattern molded-in-place bone-colored body and one-piece ball-stem design, provide exceptional resistance to wear and to tubing stress distortion.

Designed and certified for installation onto Copper-Tube-Size (CTS) CPVC tubing, potable hot and cold water plumbing and commercial plumbing applications.

Not suitable for use with petroleum-based medias or compressed-air service.

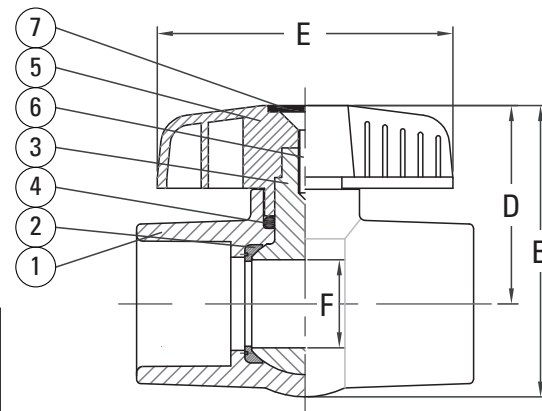
Solvent-weld end connection types, available in Nominal Copper-Tube-Sizes 1/2" to 2".

Working Pressure, Non Shock (PSI)

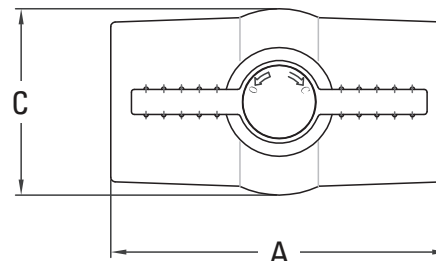
Cold Working Pressure (CWP):	150 psi @ 73°F
Working Steam Pressure (WSP):	Not suitable for steam service
Maximum service temperature:	180°F



Pictured:
S-605



Pictured:
S-605, 1/2" - 2"
Cut-away view



Pictured:
S-605, 1/2" - 2"
Top view

MATERIAL SPECIFICATION		
PART	MATERIAL	SPECIFICATION
1 One-piece body	CPVC resin	ASTM D1784, Class 23447
2 Seats (2)	PTFE elastomer	Commercial grade
3 One-piece ball-stem	CPVC resin	ASTM D1784, Class 23447
4 Stem O-ring	EPDM elastomer	Commercial grade
5 Handle	ABS resin	Impact grade
6 Handle Retaining Screw	Zinc-plated steel	ASME B18.6.7M
7 Screw cover	ABS resin	Impact grade

Certifications/Listings:

Third-party Certified
NSF/ANSI 61: Drinking Water System Components - Health Effects.
NSF/ANSI 14: Plastic Piping System Components and Related Materials.
NSF/ANSI 372: Drinking Water System Components - Lead content.

Standards:

ASTM F1970: Standard Specification for Special Engineered Fittings, Appurtenances or Valves for use in Poly (Vinyl Chloride) (PVC) or Chlorinated Poly (Vinyl Chloride) (CPVC) Systems.
ASTM D2846: Standard Specification for Chlorinated Poly(Vinyl Chloride) (CPVC) Plastic Hot- and Cold-Water Distribution Systems.
ASTM D1784: Standard Specification for Rigid Poly (Vinyl Chloride) (PVC) Compounds and Chlorinated Poly (Vinyl Chloride) (CPVC) Compounds.

DIMENSIONS - Inch

Nominal CTS	A	B	C	D	E	F
1/2"	2.68	2.05	1.26	1.42	2.36	0.49
3/4"	3.27	2.56	1.57	1.77	2.76	0.72
1"	3.78	3.23	2.05	2.20	3.46	0.94
1-1/4"	4.21	3.72	2.24	2.60	3.94	0.98
1-1/2"	4.49	3.90	2.48	2.66	3.94	1.18
2"	5.71	4.55	3.11	2.99	4.29	1.42