

SUBMITTAL SHEET

JOB NAME	ITEM TAG
JOB LOCATION	PART NUMBER
CONTRACTOR	DATE
ENGINEER APPROVAL	DATE

PVC COMPACT-PATTERN BALL VALVE FOR PVC SCHEDULE 40 PIPE

T/S-601

Constructed of heavy-duty, corrosion-proof, virgin PVC resin.

Compact-pattern, lightweight molded-in-place body and one-piece ball-stem design, provide exceptional resistance to wear and to pipeline stress distortion.

Designed for installation onto Schedule 40 PVC pipe, for swimming pool, aquarium, irrigation, waste water treatment, chemical processing, marine-corrosive, agriculture, de-watering, and many other applications.

Not suitable for use with petroleum-based medias or compressed-air service.

Threaded or solvent-weld end connection types, available in Nominal Pipe Sizes 1/2" to 4" (FNPT and Solvent-Weld).

Working Pressure, Non Shock (PSI)

Cold Working Pressure (CWP): 150 PSI @ 73°F

Max Service Temperature: 140°F

Saturated Steam (WSP): Not suitable for steam service

MATERIAL SPECIFICATION	
PART	MATERIAL
1 Body	PVC Resin
2 Seats (2)	TPV (Thermoplastic Vulcanisate)
3 One-Piece Ball-Stem	PVC Resin
4 Stem O-Ring	NBR
5 Handle (1/2" to 2": T-handle, 2-1/2" to 4": Lever)	ABS Resin
6 Stem Cover	ABS Resin
7 Anti-Friction Washer	Polypropylene

DIMENSIONS - INCH					
Nominal IPS	A	B	C	D	E
1/2"	3.00	2.40	1.22	0.59	2.68
3/4"	3.50	2.83	1.42	0.79	3.15
1"	3.94	3.46	1.69	0.94	3.66
1-1/4"	4.33	3.94	2.05	1.18	3.98
1-1/2"	4.84	4.21	2.32	1.34	4.25
2"	5.79	4.92	2.87	1.75	5.35
2-1/2"	7.08	5.98	3.48	2.13	7.48
3"	8.19	7.05	4.11	2.70	8.74
4"	10.00	8.27	5.12	3.31	10.08



Pictured:
T-601
FNPT x FNPT



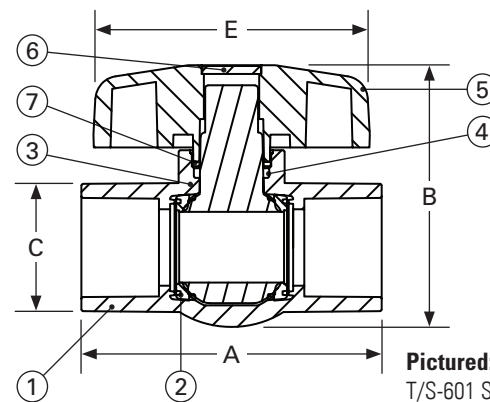
Pictured:
S-601
Solvent Weld



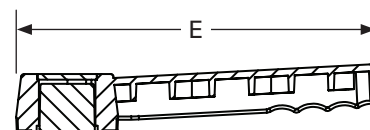
Pictured:
T-601 Lever Handle
FNPT x FNPT



Pictured:
S-601 Lever Handle
Solvent Weld



Pictured:
T/S-601 Sizes 1/2" to 4"
Cut-Away



Pictured:
T/S-601 Lever Handle
Sizes 2-1/2" to 4"
Cut-Away

Standards

ASTM F1970: Standard Specification for Special Engineered Fittings, Appurtenances or Valves for use in Poly (Vinyl Chloride) (PVC) or Chlorinated Poly (Vinyl Chloride) (CPVC) Systems.

ASTM D1784: Standard Specification for Rigid Poly (Vinyl Chloride) (PVC) Compounds and Chlorinated Poly (Vinyl Chloride) (CPVC) Compounds.

ASTM D2466: Standard Specification for Poly (Vinyl Chloride) (PVC) Plastic Pipe Fittings, Schedule 40.

ASTM F1498: Standard Specification for Taper Pipe Threads 60° for Thermoplastic Pipe and Fittings.

ANSI / ASME B1.20.1: Pipe Threads, General Purpose, Inch.