

SUBMITTAL SHEET

JOB NAME	ITEM TAG
JOB LOCATION	PART NUMBER
CONTRACTOR	DATE
ENGINEER APPROVAL	DATE

NO LEAD FULL PORT PRESS-TO-CONNECT BALL VALVE WITH WASTE

P-202NL LegendPress®

Dezincification-resistant (DZR) forged brass resists corrosion from exposure to a wide variety of water conditions.

Press-to-connect end connections are designed for installation onto ASTM B88 types K, L and M hard-drawn copper tubing. Coiled (annealed) soft copper tubing is not recommended, but can be used if ends are made round.

End connections are compatible with commercially-available VUS profile jaws.

Waste drain allows line to be drained for maintenance or to prevent freeze-up; an ideal isolation/winterization valve for exterior sillcock installations.

Available in nominal CTS sizes 1/2" to 1".

Working Pressure, Non Shock (PSI)

Cold working pressure (CWP):	250 psi
Saturated steam (WSP):	Not suitable for steam service
Maximum Service Temperature:	250 °F

MATERIAL SPECIFICATION		
PART	MATERIAL	SPECIFICATION
1	Handle nut	Zinc plated steel with plastic anti-vibration insert (Nyloc™ nut) and *Nylon™
2	Handle	Zinc plated steel
3	Packing nut	Forged brass
4	Stem packing	PTFE
5	Thrust washer	PTFE
6	Stem	Lead-free forged brass
7	Body	Lead-free forged brass
8	Seats (2)	PTFE
9	Ball	Chrome-plated lead-free forged brass
10	End adapter	Lead-free forged brass
11	Socket O-rings (1 per socket)	EPDM
12	Waste cap seal	EPDM
13	Waste cap	Forged brass

*Nylon is registered trademark of the Dow DuPont Company.

DIMENSIONS - Inch				
Size	A	B	C	Tubing insertion depth:
1/2"	3.50	1.65	3.82	1.10 (1-3/32")
3/4"	3.94	1.93	3.82	1.18 (1-3/16")
1"	4.21	2.30	4.49	1.18 (1-3/16")

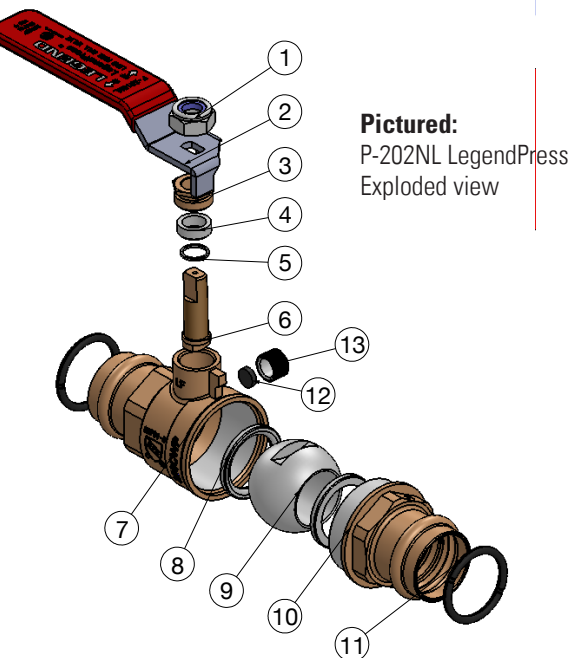
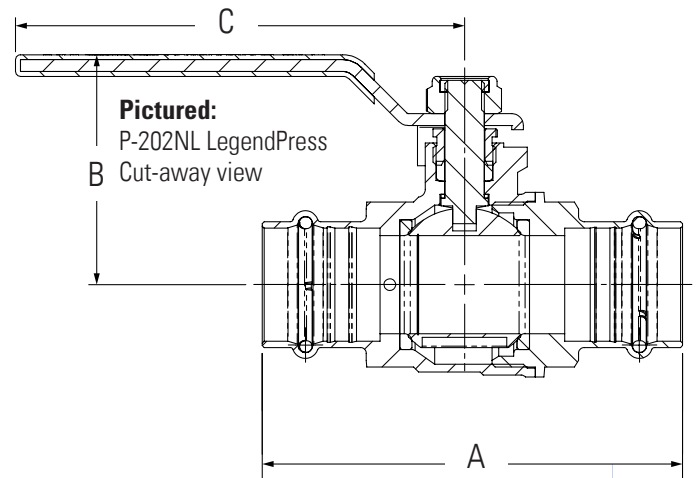
Certifications/Listing:

Third-party certified
NSF/ANSI 14: Plastic piping system components and related materials.
ANSI/NSF 61: Drinking water system components health effects.
ANSI/NSF 372: Drinking water system components lead content.

Standards:

ANSI/ASME B.16.51: Copper and Copper Alloy Press-Connect Pressure Fittings

Pictured:
P-202NL LegendPress



Pictured:
P-202NL LegendPress
Exploded view