

## SUBMITTAL SHEET

JOB NAME	ITEM TAG
JOB LOCATION	PART NUMBER
CONTRACTOR	DATE
ENGINEER APPROVAL	DATE

# NO LEAD BALL VALVE WITH INTEGRATED THERMAL EXPANSION RELIEF

## T-51NL

Designed for residential water heater applications.

Use as a shut-off on the cold water inlet side of the water heater where expansion relief is needed.

Ball valve connections available in 3/4" nominal size, in FNPT, Press, Crimp/Cinch PEX (F1807), and Expansion PEX (F1960).

Integrated relief valve available in three relief pressure ratings: 80, 100 & 125 PSI.

Thermal relief valve has a 1/2" PEX relief outlet, with optional 3/8" compression & 3/8" hose insert barb adapters (included in kitted SKUs).

The thermal relief valve may routinely discharge water from the system. The discharge line should be secured to prevent movement during discharge.

### Working Pressure, Non-Shock (PSI):

Cold Working Pressure (CWP): 125 psi

Maximum Service Temperature: 180°F

MATERIAL SPECIFICATION		
PART		MATERIAL
1	Valve Body	Lead-Free Forged Brass
2	Ball	Stainless Steel
3	Ball Seals	PTFE
4	Stem	Forged Brass
5	Stem O-Ring	NBR
6	Stem Packing	PTFE
7	Packing Nut	Forged Brass
8	Handle	Plated Steel
9	Handle nut	Plated Steel w/ nylon insert
10	Relief Valve Body	Lead-Free Forged Brass
11	Relief Connection	Forged Brass
12	Press O-Ring	EPDM (Press Configs. Only)

DIMENSIONS - INCH				
Size	A	B	C	Insertion Depth
3/4" FNPT x FNPT	2.69	2.09	4.29	-
3/4" Press x Press	4.09	2.09	4.29	1"
3/4" F1807 x F1807	3.33	1.87	3.46	-
3/4" F1960 x F1960	3.98	1.87	3.46	-

### Certifications/Listings:

Third-Party certified.

NSF/ANSI 14: Plastic piping system components and related materials.

NSF/ANSI 61: Drinking water system components - Health effects.

NSF/ANSI 372: Drinking water system components - Lead content.

Uniform Plumbing Code (UPC)

National Plumbing Code of Canada (NPC)

IGC 128: Water heater shutoff valves with thermal expansion control valves.

CSA B125.3: Plumbing fittings.

### Standards:

ANSI/ASME B1.20.1: Pipe Threads, General Purpose (Inch).

*Threaded configurations only – T-51NL FNPT*

ANSI/ASME B16.51: Copper and copper alloy press-connect pressure fittings.

*Press configurations only – T-51NL Press*

ASTM F1807: Metal insert fittings utilizing a copper crimp or stainless steel clamps.

*Crimp/Cinch PEX configurations only – T-51NL F1807; T-51NL F1807A*

ASTM F1960: Cold expansion fittings with PEX reinforcing rings.

*Expansion PEX configurations only – T-51NL F1960; T-51NL F1960A*



**Pictured:**  
T-51NL FNPT with 1/2" F1807 Relief Outlet

**Pictured:**  
T-51NL Press with 1/2" F1807 Relief Outlet

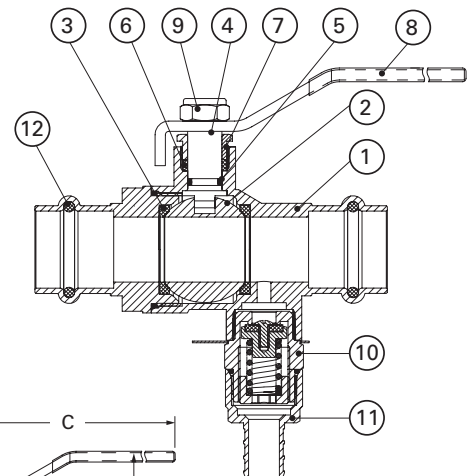
**Pictured:**  
T-51NL F1807 with 1/2" F1807 Relief Outlet



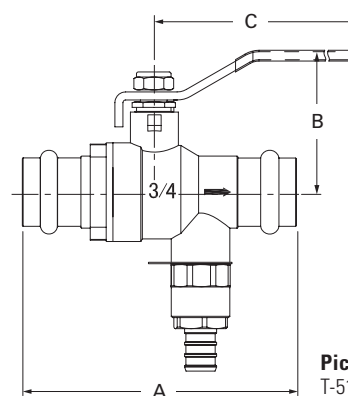
**Pictured:**  
T-51NL F1960 with 1/2" F1807 Relief Outlet

**Pictured:**  
T-51NL F1960A with 1/2" F1960 Relief Outlet

**Pictured:**  
3/8" Comp. (OD) & Insert Relief Outlet Adapters



**Pictured:**  
T-51NL Cut-Away



**Pictured:**  
T-51NL Dimensions