

## SUBMITTAL SHEET

JOB NAME	ITEM TAG
JOB LOCATION	PART NUMBER
CONTRACTOR	DATE
ENGINEER APPROVAL	DATE

## BLUE TOP GAS BALL VALVE

### T-3000, T-3001 and T-3002

Patented one-piece forged brass body eliminates the possibility of seam leaks common to two-piece body designs\*.

Ideal for all residential and commercial gas installations.

Chrome plated ball and soft seats resist contamination build-up and offer a positive seal in low- or moderate-pressure gas applications.

Quarter-turn, ball-type, forged brass design is more compact and superior to traditional cast bronze or cast iron gas cocks.

The 125 psi pressure rating permits high-pressure air tests, without the grease-seal blowout common to plug-type gas cocks.

Available in eight different configurations, to accommodate all gas connection types.

#### Working Pressure, Non Shock (PSI)

Cold working pressure (CWP): 125 psi

Saturated steam (WSP): Not suitable for steam service

#### MATERIAL SPECIFICATION

PART	MATERIAL
1 Body	Forged brass
2 Seats (2)	Nitrile (NBR) rubber
3 Ball	Forged brass, chrome plated
4 Thrust washer	Synthetic fiber
5 Stem	Forged brass
6 Stem retainer brushing	Forged brass
7 Stem O-ring	Nitrile (NBR) rubber
8 Stem retainer clip	Phosphor-bronze wire
9 Handle	Coated aluminum
10 Handle screw	Zinc plated steel

\*Note: part number 102-312, 3/8" flare x flare is a two-piece body design. A flared connection is not subject to the high assembly torque common to pipe-threaded connections, thereby greatly reducing the chance of body seam seal failure and subsequent leakage.

#### Certifications/Listing:

Third-party certified

ANSI Z21.15: Gas appliance connector valve for 1/2 lb. systems.

ASME B16.44: For use in above ground gas piping systems up to 5 PSI.

UL MHKZ: Manual shutoff valve, 125 psi max.

UL YRPV: Gas shutoff valve, 125 psi max.

UL YSDT: LP gas shutoff valve, 125 psi max.

UL YRBX: Flammable liquid shutoff valve. 125 psi max.

UL YQNZ: Compressed gas shutoff valve, 125 psi max.

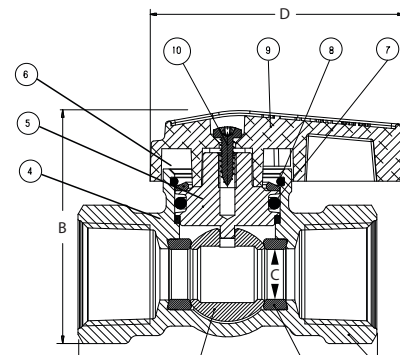
Massachusetts Commonwealth approved (Model T-3001)

#### Standards:

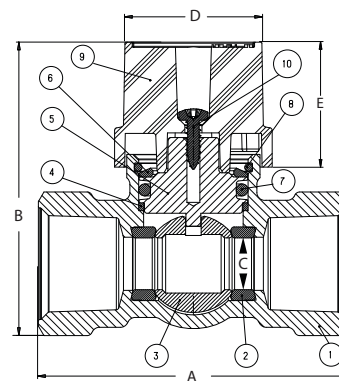
ANSI/ASME B1.20.1: Pipe threads, general purpose, inch.



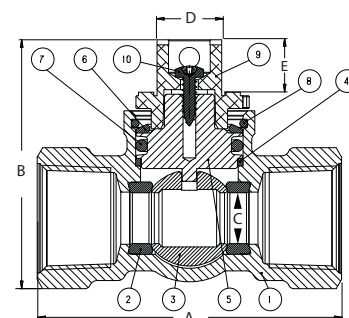
**Pictured:**  
T-3000 FNPT x FNPT



**Pictured:**  
T-3000  
Cut-away



**Pictured:**  
T-3001  
Cut-away



**Pictured:**  
T-3002  
Cut-away

## DIMENSIONS - Inch

Size	A	B	C	D	E	BTU Capacity*
3/8" FIP x FIP	2.02	1.75	0.40	2.02	–	290,000
1/2" FIP x FIP	2.36	1.83	0.40	2.02	–	290,000
3/4" FIP x FIP	2.60	2.14	0.60	2.09	–	726,000
3/8" flare x 1/2" FIP	2.35	1.83	0.40	2.02	–	88,900
1/2" flare x 1/2" FIP	2.46	1.82	0.40	2.02	–	260,000
1/2" flare x 3/4" FIP	2.52	1.97	0.40	2.02	–	243,600
5/8" (15/16"-16) flare x 1/2" FIP	2.52	1.78	0.40	2.02	–	260,000
5/8" (7/8"-14) flare x 3/4" FIP	2.86	2.16	0.60	2.09	–	237,346
5/8" (15/16"-16) flare x 3/4" FIP	2.82	2.14	0.60	2.09	–	237,346
3/8" flare x 1/2" MIP	2.41	1.78	0.28	2.02	–	88,900
1/2" flare x 1/2" MIP	2.53	1.78	0.40	2.02	–	260,000
3/8" flare x flare	2.71	1.81	0.28	2.02	–	102,800
1/2" flare x flare	2.62	1.79	0.40	2.02	–	109,600
5/8" flare x flare	3.14	2.04	0.50	2.09	–	479,700
1/2" FIP x 1/8" Texas pattern	2.93	1.85	0.40	2.02	–	74,000
3/4" FIP x 1/8" Texas pattern	2.98	2.02	0.40	2.02	–	74,000
3/8" (9/16"-24) flare x 1/2" FIP	2.23	1.82	0.40	2.02	–	88,900
3/8" T-3001	2.02	2.16	0.40	1.03	0.95	290,000
1/2" T-3001	2.36	2.21	0.40	1.20	0.95	290,000
3/4" T-3001	2.58	2.55	0.60	1.03	0.95	726,800
1" T-3001	3.06	2.72	0.84	2.88	0.68	1,192,000
1-1/4" T-3001	3.43	3.09	1.00	2.88	0.68	1,768,000
1-1/2" T-3001	3.68	4.02	1.50	4.03	0.83	3,097,000
2" T-3001	4.32	5.14	1.97	4.95	0.97	6,500,000
1/2" T-3002	2.36	1.93	0.40	0.50	0.43	290,000
3/4" T-3002	2.59	2.22	0.60	0.50	0.43	726,000

\*1/2 PSI NAT Gas @ 1" WC Press Drop



**Pictured:**  
T-3000 (Texas Pattern)



**Pictured:**  
T-3001



**Pictured:**  
T-3002