

## SUBMITTAL SHEET

JOB NAME	ITEM TAG
JOB LOCATION	PART NUMBER
CONTRACTOR	DATE
ENGINEER APPROVAL	DATE

# TUBING PUSH-TO-CONNECT X MALE NPT OR PIPE SPIGOT ADAPTERS

## Tubeing x Pipe Push-Fit Adapters

The ideal heavy-duty, lead-free transition fitting for attaching tubing to pipe.

Integral insert stiffener aligns, stabilizes and supports the tubing, providing a positive, leak-free connection.

Simple push-to-connect tubing installation eliminates the need for sweating, gluing or crimping, substantially lowering installation time and labor costs.

Can be installed onto all copper tubing types (both metallic and plastic) and FNPT threaded or solvent-weld coupling or valve ends.

Available in nominal 3/4" and 1" tubing and pipe connection sizes.

- Manufactured in compliance with the following Standards:

ANSI / ASME B1.20.1: Pipe threads, general purpose (inch).  
ASTM D1784: Standard Specification for Rigid Poly (Vinyl Chloride) (PVC) Compounds and Chlorinated Poly (Vinyl Chloride) (CPVC) Compounds.  
ASTM D2466: Standard Specification for Poly (Vinyl Chloride) (PVC) Plastic Pipe Fittings, Schedule 40.

- Manufactured in an ISO accredited facility.



**Pictured:**  
**PVC MNPT & Spigot Adapters**

### Working Pressure, Non Shock (PSI)

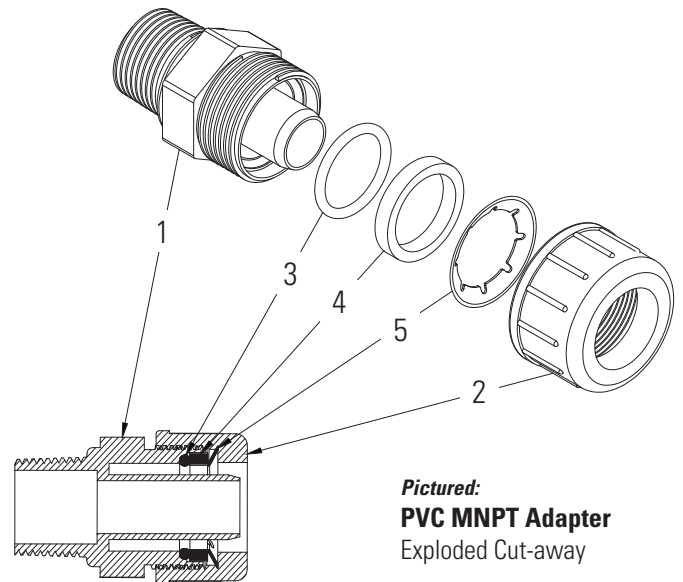
Cold working pressure (CWP): 150 p.s.i. @ 73°F  
Saturated steam (WSP): Not suitable for steam service

### MATERIAL SPECIFICATION

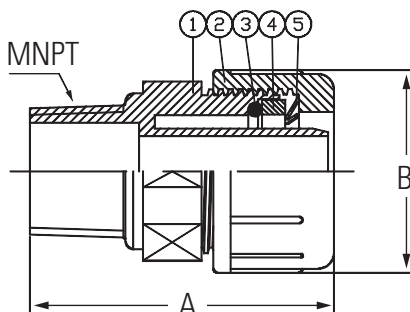
PART	MATERIAL	SPECIFICATION
1 Body	Virgin PVC resin	ASTM D1784-11
2 Compression nut	Virgin PVC resin	ASTM D1784-11
3 O-ring	NBR (Buna-N) rubber	Commercial Grade
4 Guide ring	Virgin PVC resin	ASTM D1784-11
5 Grip ring	Stainless steel	AISI Grade 304

### DIMENSIONS

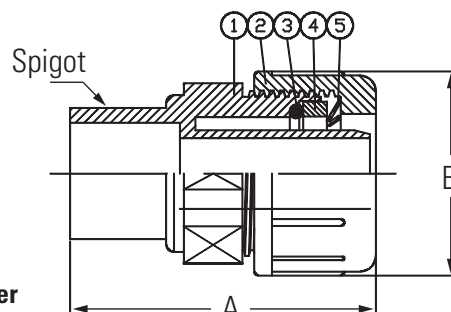
Nominal Size	A	B
3/4" MNPT x CTS P-T-C	2.84	1.83
3/4" Spigot x CTS P-T-C	2.84	1.83
1" MNPT x CTS P-T-C	3.07	2.05
1" Spigot x CTS P-T-C	3.07	2.05



**Pictured:**  
**PVC MNPT Adapter Exploded Cut-away**



**Pictured:**  
**PVC MNPT Adapter Cut-away**



**Pictured:**  
**PVC Spigot Adapter Cut-away**