

## SUBMITTAL SHEET

JOB NAME	ITEM TAG
JOB LOCATION	PART NUMBER
CONTRACTOR	DATE
ENGINEER APPROVAL	DATE

# NO LEAD FORGED STEEL DIELECTRIC UNION (1/2" TO 2")

## P-571NL (1/2" - 2") PATENTED

Made to reduce galvanic corrosion where two dissimilar metals are joined. Self-aligning, non-conductive elastomer gasket and thermoplastic insert create a positive seal and complete isolation between the tubing and piping ends.

With high-strength, galvanized forged steel construct, the P-571NL is intended for both residential and commercial applications.

Manufactured for installation onto ASTM B88 types K, L, and M hard-drawn copper tubing. Coiled (annealed) soft copper tubing is not recommended for use with this product.

### Working Pressure, Non Shock (PSI)

Cold working pressure (CWP):     200 psi up to 180° F  
   250° F at 15 psi WSP

*\*When equipped with the optional Steam Gasket (not included, available separately).*

MATERIAL SPECIFICATION		
PART	MATERIAL	MATERIAL
1	Press socket O-ring	EPDM rubber
2	Press adapter	Lead-free brass
3	Adapter O-ring	EPDM rubber
4	Union nut	Forged carbon steel, galvanized
5	Insert insulator	Nyloy®
6	Adapter baseplate	Lead-free brass
7	Gasket	EPDM rubber
8	FNPT and MNPT adapter	Forged carbon steel, galvanized

DIMENSIONS		
Nominal Size	A	B*
1/2" FNPT x Press	2.65	1.63
3/4" FNPT x Press	2.80	1.86
3/4" FNPT x 1/2" Press	2.70	1.86
1" FNPT x Press	3.04	2.26
1-1/4" FNPT x Press	3.24	2.75
1-1/2" FNPT x Press	3.50	3.51
2" FNPT x Press	4.00	4.00
1/2" MNPT x Press	3.58	1.63
3/4" MNPT x Press	3.75	1.88

*\*This dimension is measured from corner to corner.*

P-571NL LEGENDPRESS® TUBING INSERTION DEPTHS						
Nominal tubing size	1/2"	3/4"	1"	1-1/4"	1-1/2"	2"
Insertion depth: In	1.10"	1.18"	1.18"	1.18"	1.38"	1.57"
mm.	28	30	30	30	35	40

### Certifications/Listings:

Third-party certified.  
 NSF/ANSI 372: Drinking water system components - Lead content.

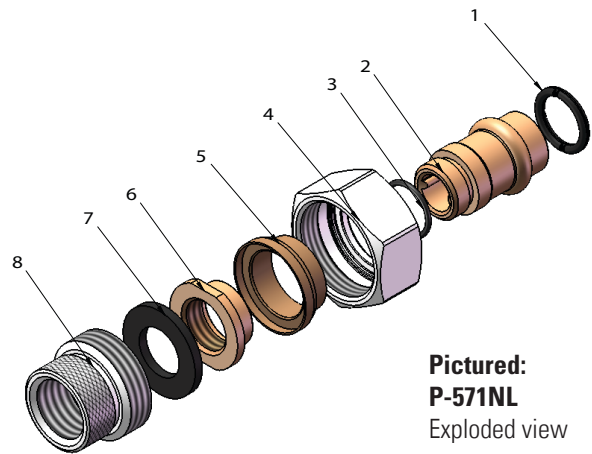
### Standards:

ANSI/ASME B1.20.1: Pipe threads, general purpose, Inch  
 ANSI/ASME B16.51: Copper and copper alloy press-connect pressure fittings

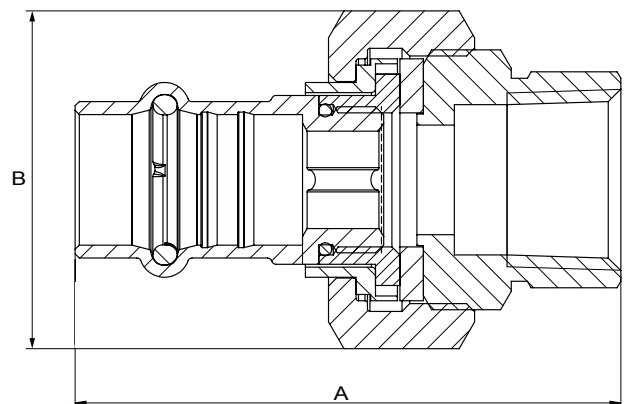


**Pictured:**  
P-571NL (3/4" FNPT)

**Pictured:**  
P-571NL (3/4" MNPT)



**Pictured:**  
P-571NL  
Exploded view



**Pictured:**  
P-571NL  
Cut-away