

SUBMITTAL SHEET

JOB NAME	ITEM TAG
JOB LOCATION	PART NUMBER
CONTRACTOR	DATE
ENGINEER APPROVAL	DATE

NO LEAD INSTA-LOC II® PUSH-TO-CONNECT FULL PORT BALL VALVES

P-2200NL and P-2200NL Drop Ear

Insta-Loc II® push-to-connect ends can be installed onto copper, PEX or CPVC tubing, eliminating the need for separate crimp-rings and tools, hazardous soldering or messy solvent-welding. Dezincification-resistant (DZR) forged brass construction resists corrosion from exposure to a wide variety of water conditions.

The drop-ear body configuration permits stable mounting with two screws (not included), eliminating tubing flex during valve operation.

Female pipe thread configurations permit easy transition from piping to tubing, eliminating the need for additional fittings.

Available in nominal sizes 1/2", 3/4" and 1" in PTC x PTC, PTC x PTC drop-ear and PTC x FNPT configurations.

Working Pressure, Non Shock (PSI)

Cold working pressure (CWP): 200 psi @ 250° F, maximum temp.*

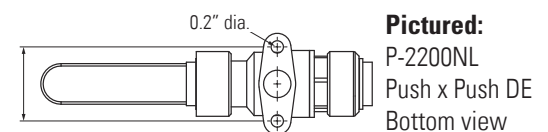
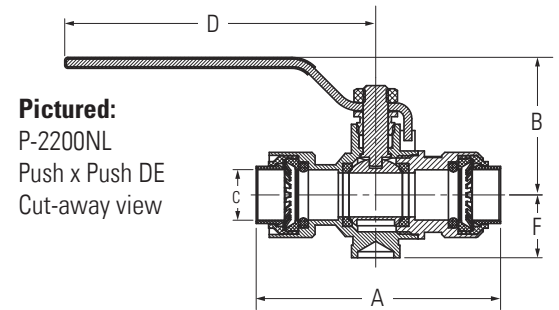
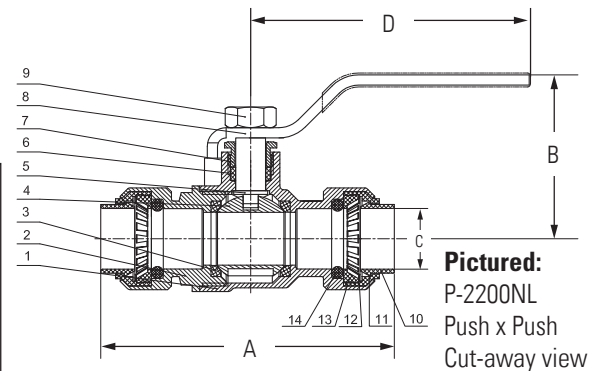
Saturated steam (WSP): Not suitable for steam service

* **Caution!** Exceeds the temperature and pressure rating of PEX & PE-RT tubing.



Pictured:
P-2200NL
Push x Push Drop Ear

Pictured:
P-2200NL
FNPT x PTC



MATERIAL SPECIFICATION			
PART	MATERIAL	SPECIFICATION	
1 Body	Lead-free DZR forged brass	UNS Alloy C46500	
2 End adapter	Lead-free DZR forged brass	UNS Alloy C46500	
3 Seats	PTFE	Commercial grade	
4 Ball	Lead-free DZR chrome plated forged brass	UNS Alloy C46500	
5 Stem	Lead-free DZR forged brass	UNS Alloy C46500	
6 Stem packing	PTFE	Commercial grade	
7 Packing nut	Forged brass	UNS Alloy C37700	
8 Lever handle	Zinc plated steel	ASME SA6, SA283 Grade C	
9 Handle nut	Zinc plated steel	AISI S201	
10 Release collar	Polyacetal resin	POM Celcon M90, commercial grade	
11 Retainer ring	Polyacetal resin	POM Celcon M90, commercial grade	
12 Grip ring	Stainless steel	AISI Grade 304	
13 Guide ring	Polyacetal resin	POM Celcon M90, commercial grade	
14 O-ring	EPDM rubber	Commercial grade	
† Insert stiffener	Polysulfone resin	Commercial grade	

† Not pictured.

DIMENSIONS - Inch							
Size	A	A (PTC x FNPT)	B	C	D	E (Drop ear)	F (Drop ear)
1/2"	3.06	2.78	1.71	0.63	3.88	1.22	0.79
3/4"	3.49	3.04	1.85	0.88	3.88	1.50	0.98
1"	4.05	3.35	2.13	1.13	4.39	1.89	1.30

Certifications/Listings:

Third-party certified.

NSF/ANSI 61: Drinking water system components - Health effects.

ANSI/NSF 14: Plastic Piping System Components and Related Materials.

Standards:

ANSI/ASME B1.20.1: Pipe threads, general purpose, Inch.

ASSE 1061: Performance Requirements for Push-Fit Fittings