

## SUBMITTAL SHEET

JOB NAME		ITEM TAG
JOB LOCATION		PART NUMBER
CONTRACTOR	DATE	
ENGINEER APPROVAL	DATE	

# NO HUB COUPLINGS

## Reducing Standard

Designed to connect cast iron no-hub soil pipe and no-hub fittings in above-ground and underground residential and commercial applications. Proper bracing and backfilling practices must be followed. Easily installed in new-construction or repair applications, eliminating the need for labor-intensive hub-and-spigot caulking.

All heavy-pattern worm-gear band clamps are attached to the shield with a rivet through an elongated slot, which not only stabilizes the clamps during the tightening sequence, but also allows the clamps and shield to move independently, thus preventing uneven clamping force, binding and shield-crimping.

Durable 28-gauge stainless steel shields are corrugated, permitting even gasket compression and reduced buckling at the overlap.

Full-pattern Neoprene rubber gasket is tear-resistant and internally beaded, to ensure a positive seal and mechanical joint, with greater pull-out resistance.

*Note: All 5/16" hex-head worm-gear screws must be incrementally tightened to 60 in-lb with a calibrated torque wrench to assure even compression and sealing.*

### Working Pressure, Non Shock (PSI)

Drain-Waste-Vent (DWV), gravity flow: < 10 psi

### MATERIAL SPECIFICATION

PART	MATERIAL	SPECIFICATION
1 Shield	Stainless steel	AISI 300
2 Band clamp	Stainless steel	AISI 300
3 Worm gear screw -- 5/16" hex-head	Stainless steel	AISI 300
4 Worm gear cover	Stainless steel	AISI 300
5 Gasket	Neoprene rubber	ASTM C564-2014

### DIMENSIONS

Size	# of band clamps	A	B	C	D	E	F	G
2" x 1-1/2"	2	2.12	0.55	10.47	2.53	2.34	1.94	0.09
3" x 2"	2	2.12	0.55	13.50	3.53	3.34	2.35	0.09
4" x 2"	2	2.12	0.55	16.61	4.59	4.41	2.35	0.09
4" x 3"	2	2.12	0.55	16.61	4.59	4.41	3.35	0.09

### Certifications/Listing:

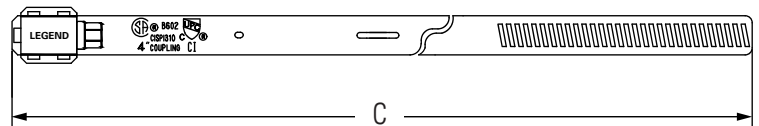
Third party certified.

ASTM C1540: Standard specification for heavy-duty shielded couplings joining hubless cast iron soil pipe and fittings.

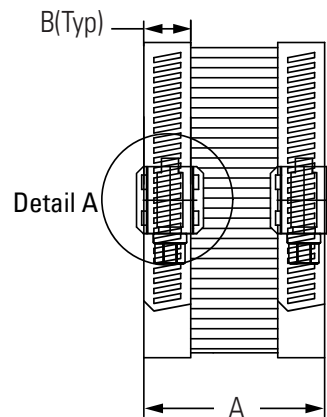
CSA B602: Mechanical couplings for drain, waste and vent pipe and sewer pipe.



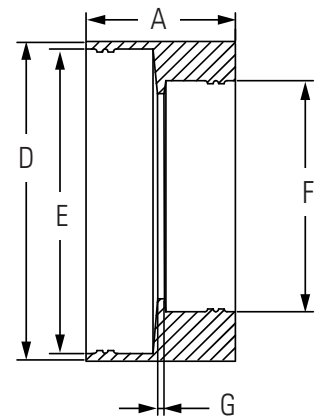
**Pictured:**  
Reducing Standard No Hub



**Pictured:**  
Band clamp detail



**Pictured:**  
4" x 3" No hub gasket, front view



**Pictured:**  
4" x 3" Reducing no hub gasket, cut-away view



**Detail A**  
Worm-gear cover