

SUBMITTAL SHEET

JOB NAME	ITEM TAG
JOB LOCATION	PART NUMBER
CONTRACTOR	DATE
ENGINEER APPROVAL	DATE

LEAD-FREE CAST PRESSURE FITTINGS

CAST BRASS DROP-EAR ELBOWS

Drop-ear holes accept most screw fastener types, permitting easy attachment to cross-brackets.

Integral drop-ears and flat-back elbow shape, place more of the elbow's surface against the bracket, enhancing stability when installing the shower arm.

Not for use in a pot filler application.

FNPT threads to accommodate plated shower arms

Working Pressure, Non Shock (PSI)

125 CWP

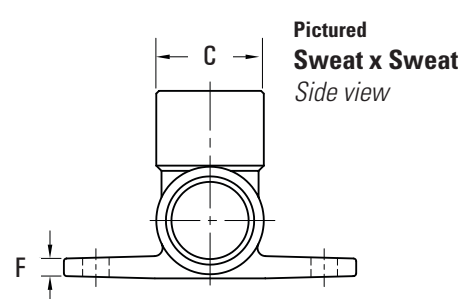
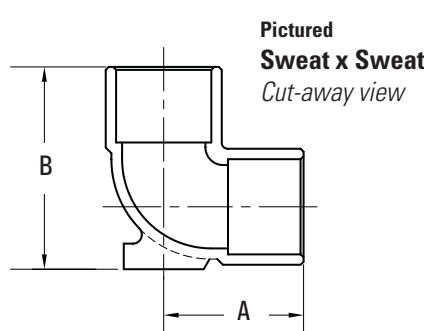
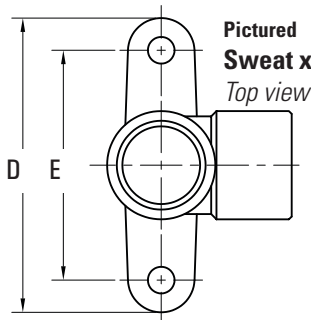
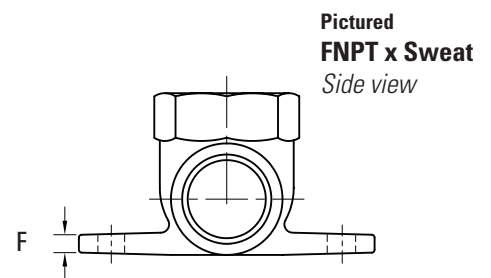
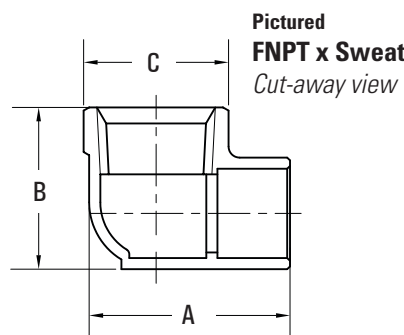
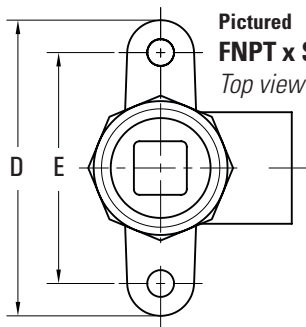
Not suitable for steam service



Pictured:
FNPT x SWEAT
Drop Ear Elbow

MATERIAL SPECIFICATION		
PART	MATERIAL	
1 Fitting body	Lead-free brass	

Dimensions - Inch	*(corner-to-corner / flat-to-flat)						
	Size	A	B	C *	D	E	F
3/8" FNPT x 1/2" Sweat	1.29	1.12	0.89 / 0.83	2.09	1.63	0.13	
1/2" FNPT x 1/2" Sweat	1.41	1.14	1.05 / 0.98	2.09	1.63	0.13	
1/2" Sweat x 1/2" Sweat	0.93	1.34	0.77	2.09	1.63	0.13	



Certifications/Listings:

Third-party certified.

NSF/ANSI 61: Drinking water system components - Health effects.

NSF/ANSI 372: Drinking water system components - Lead content.

Standards:

ANSI/ASME B1.20.1: Pipe threads, general purpose, Inch.

ANSI/ASME B16.18: Cast Pressure alloy solder-joint pressure fittings.