



BACKFLOW  
PREVENTERS



Downstream  
Thinking.  
It's all about Performance®

# BACKFLOW PREVENTERS



1-800-752-2082

## DUAL-CHECK BACKFLOW PREVENTER WITH ATMOSPHERIC VENT

### T/S-459

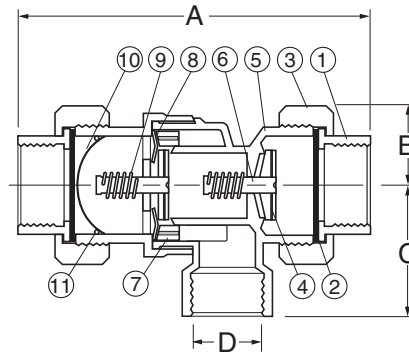
Forged brass construction  
 Threaded or sweat true union end connections  
 Designed for continuous-pressure hot or cold water lines such as boiler feed or process equipment lines attached to the potable water supply.  
 Inlet screen reduces the chance of check fouling.  
 Intermittent emergency backflow protection up to 250 degrees F

Pressure Rating, Non-Shock (PSI)  
 Saturated Steam: Not suitable for steam service  
 Maximum Water Pressure: 175 psi at 210° F

#### MATERIAL SPECIFICATION

PART	MATERIAL	SPECIFICATION
1 Female adapter (2)	Forged brass	ASTM B124/124M UNS C37700
2 Adapter gasket (2)	EPDM	Commercial grade
3 Union nut (2)	Forged brass	ASTM B124/124M UNS C37700
4 Piston Seal	EPDM	Commercial grade
5 Body	Forged brass	ASTM B124/124M UNS C37700
6 Check piston (2)	Forged brass	ASTM B124/124M UNS C37700
7 Vent diffuser	Polyethylene plastic	Commercial grade
8 Seal membrane	EPDM	Commercial grade
9 Check piston spring (2)	Stainless steel	AISI 304
10 Debris screen	Stainless steel	AISI 304
11 Screen retainer	Phosphor bronze wire	ASTM B159 UNS C51000

Certified to ASSE Standard 1012  
 Certified to CSA Standard B64.3  
 Female pipe thread connections conform to ANSI / ASME B1.20.1  
 Sweat end connections conform to ANSI / ASME B16.18  
 Manufactured in an ISO 9002 accredited facility



T-459  
Cut Away

#### DIMENSIONS

Size	A (IPS)	A (CTS)	B	C	D	Cv	Wt (lb)
1/2"	4.125	4.25	0.90	1.50	1/2" FNPT	3.0 GPM	1.20
3/4"	4.125	4.88	0.90	1.50	1/2" FNPT	3.0 GPM	1.28

## DUAL-CHECK BACKFLOW PREVENTER

### T-457

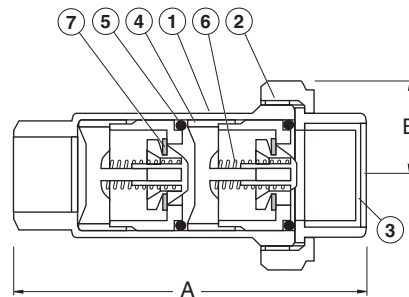
Forged brass construction  
 Plastic check modules with stainless steel springs  
 Single-union inlet connection  
 Designed for residential or commercial continuous or intermittent water pressure containment, downstream of the meter  
 Available in FIP configurations  
 Can be installed vertically or horizontally

Pressure Rating, Non-Shock (PSI)  
 Saturated Steam: Not suitable for steam service  
 Maximum Water Pressure: 150 psi at ambient temperature  
 Minimum Operating Pressure: 10 psi  
 Maximum Water Temperature: 180° F

#### MATERIAL SPECIFICATION

PART	MATERIAL	SPECIFICATION
1 Body	Forged brass	ASTM B124/124M UNS C37700
2 Union nut	Forged brass	ASTM B124/124M UNS C37700
3 Female adapter	Forged brass	ASTM B124/124M UNS C37700
4 Check module (2)	Acetal resin	COPOLYMER 090
5 Check O-ring (2)	Buna-N (NBR) rubber	Commercial grade
6 Module spring (2)	Stainless steel	AISI 304
7 Module seat (2)	Buna-N (NBR) rubber	Commercial grade

Certified to ASSE Standard 1024  
 Certified to CSA Standard B64.6  
 Female pipe threads comply with ANSI / ASME B1.20.1  
 Manufactured in an ISO 9002 accredited facility



T-457  
Cut Away

#### DIMENSIONS

Size	A	B	Cv	Wt (lb)
1/2"	4.08	1.19	5.51gpm	1.24
3/4"	4.11	1.19	5.51gpm	1.09
1"	4.21	1.19	5.51gpm	1.15

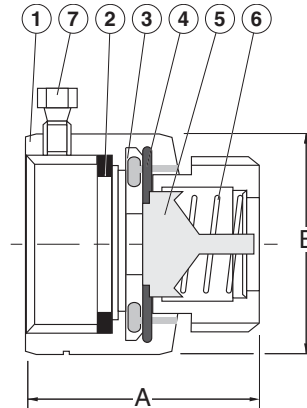
## HOSE BIBB VACUUM BREAKER

### T-553 / T-553C

Female x male garden hose thread connections  
 Automatic vacuum interruption prevents backsiphonage  
 Breakaway set screw for tamper-resistant installation  
 Available in plain or chrome plated finishes  
 Not for continuous pressure installations

Working Pressure, Non-Shock (PSI)  
 CWP: Max 125 psi  
 Saturated Steam: Not suitable for steam service  
 Maximum service temperature: 180° F

Certified to ASSE Standard 1011  
 Certified to CSA Standard B64.2  
 UPC / IAPMO approved



**T-553**  
Cut Away

#### MATERIAL SPECIFICATION

PART	MATERIAL	SPECIFICATION
1 Body*	Forged brass	ASTM B16 UNS C36000
2 Washer	Neoprene	Commercial grade 55
3 Piston seal retainer	Acetal resin	FM090 Acetal copolymer (POM)
4 Piston seal	NBR (Nitrile) rubber	Commercial grade
5 Piston	Acetal resin	FM090 Acetal copolymer (POM)
6 Piston Spring	Stainless steel	AISI 304
7 Setscrew	Chrome plated mild carbon steel	AISI 12L14 (ASTM A108)

\*T-553C is chrome plated

#### DIMENSIONS

Size	A	B
3/4"	1.25	1.26

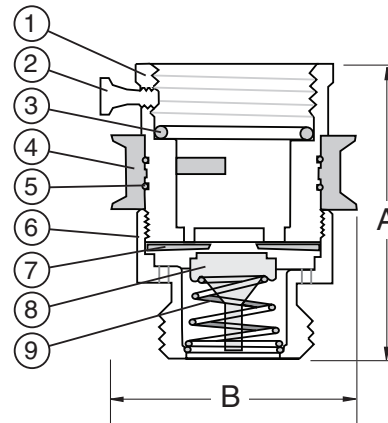
## HOSE BIBB VACUUM BREAKER

### T-554

Female x male garden hose thread connections  
 Automatic vacuum interruption prevents backsiphonage  
 Breakaway set screw for tamper-resistant installation  
 Drain collar permits manual draining  
 Not for continuous pressure installations

Working Pressure, Non-Shock (PSI)  
 CWP: Max 125 psi  
 Saturated Steam: Not suitable for steam service  
 Maximum service temperature: 180° F

UPC / IAPMO approved



**T-554**  
Cut Away

#### MATERIAL SPECIFICATION

PART	MATERIAL	SPECIFICATION
1 Body	Forged brass	ASTM B124 UNS C37700
2 Setscrew	Chrome plated carbon steel	ASTM A108
3 O-Ring	NBR (Nitrile) Rubber	Commercial grade
4 Drain collar	ABS Plastic	Impact grade
5 Collar O-rings (2)	NBR (Nitrile) Rubber	Commercial grade
6 End adapter	Forged brass	ASTM B124 UNS C37700
7 Seat	NBR (Nitrile) Rubber	Commercial grade
8 Piston	Celcon plastic	Celcon M90-01
9 Piston spring	Stainless steel	AISI 304

#### DIMENSIONS

Size	A	B
3/4"	1.92	1.62

# BACKFLOW PREVENTERS

## HOSE BIBB VACUUM BREAKER

### T-555

Female x male garden hose thread connections  
 Automatic vacuum interruption prevents backsiphonage  
 Breakaway set screw for tamper-resistant installation  
 Durable, corrosion and impact resistant resin construction  
 Not for continuous pressure installations

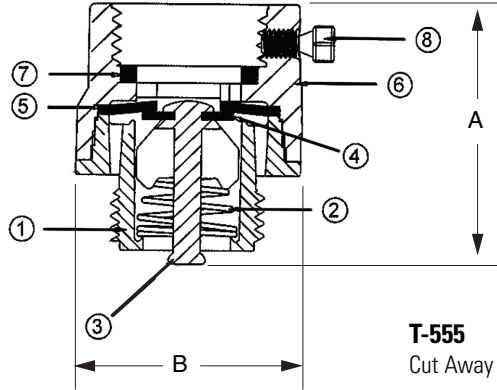
Working Pressure, Non-Shock (PSI)  
 CWP: Max 125 psi  
 Saturated Steam: Not suitable for steam service  
 Maximum service temperature: 180° F

#### MATERIAL SPECIFICATION

PART	MATERIAL	SPECIFICATION
1 Body	Noryl* resin	Fiber reinforced polyphenylene ether + polystyrene
2 Piston spring	Stainless steel	AISI 304
3 Piston	Noryl* resin	Fiber reinforced polyphenylene ether + polystyrene
4 Piston seat	NBR (Nitrile) Rubber	Commercial grade
5 Seat	NBR (Nitrile) Rubber	Commercial grade
6 End adapter	Noryl* resin	Fiber reinforced polyphenylene ether + polystyrene
7 Washer	NBR (Nitrile) Rubber	Commercial grade
8 Setscrew	Chrome Plated brass	ASTM B16 UNS C36000

\*Registered trademark of the General Electric Corporation

Certified to ASSE Standard 1011  
 Certified to CSA Standard B64.2  
 UPC / IAPMO approved



#### DIMENSIONS

Size	A	B
3/4"	1.78	1.56



51245 Filomena Drive  
 Shelby Township, Michigan 48315  
 phone: (800) 752-2082 fax: (800) 835-4457  
 web: www.legendvalve.com  
 email: service@legendvalve.com



#### A Legendary Guarantee:

Legend Valve & Fitting warrants each valve manufactured in its ISO-9002 facilities to be free of defects in materials and workmanship for a period of 5 years from the date of purchase when properly installed and operated under normal use and service. Should one of these valves be proven defective, Legend will pay directly to the installing contractor \$25.00 to help offset the cost of replacement in addition to replacing the valve. For complete details of this legendary warranty, please contact us.

