

SUBMITTAL SHEET

JOB NAME		ITEM TAG	
JOB LOCATION		PART NUMBER	
CONTRACTOR	DATE		
ENGINEER APPROVAL	DATE		

STANDARD & ISOLATION TUBE CLAMPS

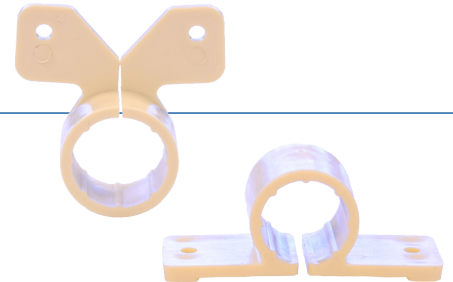
PEX CLAMPS

Plastic clip for attaching PEX and Copper tube to wood surfaces.

Standard clamp used for mounting to a surface.

Isolation clamp used to protect and isolate flexible and copper tubing so that it does not come in contact with the floor joist.

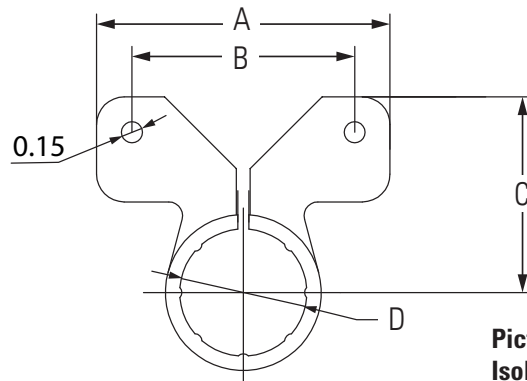
For 1/2", 3/4" & 1" Nominal PEX and Copper tube sizes.



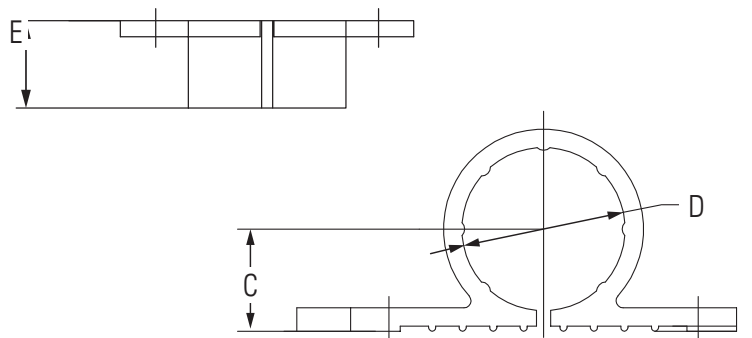
Pictured:
Isolation & Standard Clamps

MATERIAL SPECIFICATION			
PART	MATERIAL	SPECIFICATION	
1	Clamp	HDPE	Commercial Grade

DIMENSIONS						
Standard Clamp						
Size	A	B	C	D	E	
1/2"	2.14	1.73	0.45	0.67	0.70	
3/4"	2.14	1.73	0.57	0.91	0.70	
1"	2.84	2.48	0.74	1.18	0.75	
Isolation Clamp						
Size	A	B	C	D	E	
1/2"	2.09	1.59	1.28	0.67	0.62	
3/4"	2.09	1.59	1.39	0.91	0.62	
1"	2.13	1.74	1.4	1.18	0.75	



Pictured:
Isolation Clamp
Dimensional



Pictured:
Standard Clamp
Dimensional

