

SUBMITTAL SHEET

JOB NAME	ITEM TAG
JOB LOCATION	PART NUMBER
CONTRACTOR	DATE
ENGINEER APPROVAL	DATE

INTEGRATED MANIFOLD ADAPTER

Brass All-In-One Manifold Adapter

Compact all-in-one design with isolation ball valve, fill/purge valve, automatic air vent and thermometer.

Integrated check valve in each automatic vent port.

Durable forged brass body.

EPDM seals at all connections.

Sensor port for boiler or system controller.

Thermometer is mounted in a dry well.

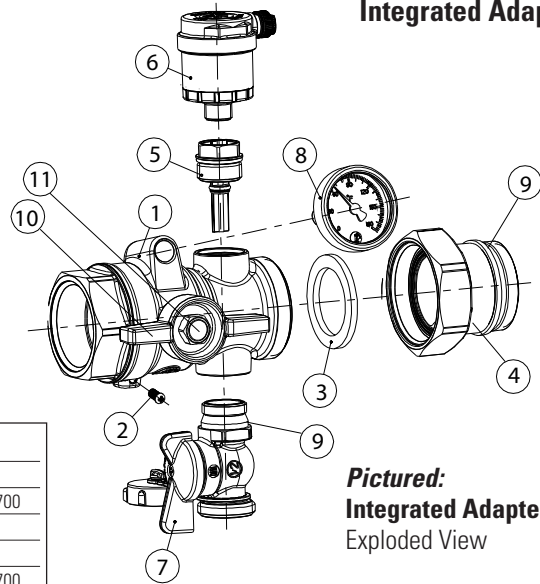
1" NPT or 1-1/4" NPT on manifold isolation ball valves

Working Pressure, Non Shock (PSI)

Max Working Pressure, Non-Shock:	125 p.s.i.
Max Working Temperature:	230°F
Max Flow:	1" - 16 gpm max 1-1/4" - 20 gpm max



Pictured:
Integrated Adapter



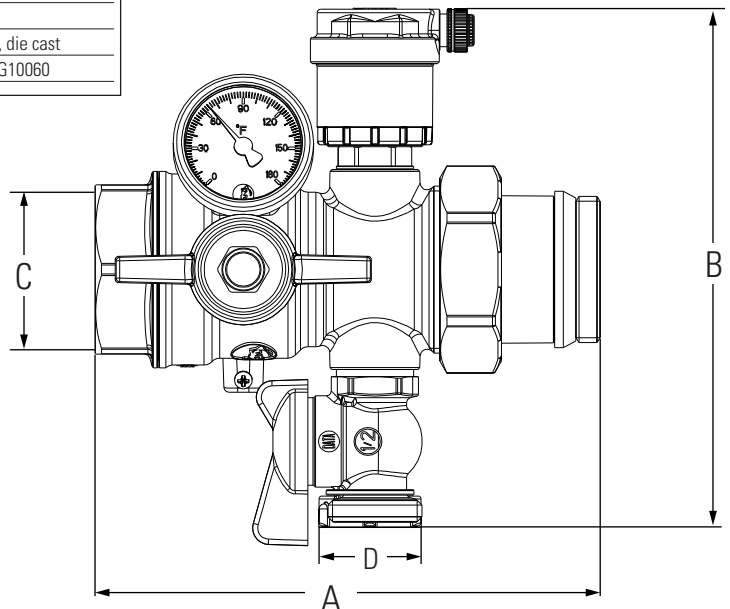
Pictured:
Integrated Adapter
Exploded View

MATERIAL SPECIFICATION

PART	MATERIAL	SPECIFICATION
1 Valve body	Forged brass	ASTM B124/124M UNS C37700
2 Screw (Sensor port)	Steel	Commercial grade
3 Flat gasket	EPDM	Commercial grade
4 Tail piece	Forged brass	ASTM B124/124M UNS C37700
5 1/4" x 1/2" Check adapter	Forged brass (body)	ASTM B124/124M UNS C37700
6 1/4" Air vent	Forged brass (body)	ASTM B124/124M UNS C37700
7 Drain valve assembly	Forged brass (body)	ASTM B124/124M UNS C37700
8 Thermometer, 0-180F	Aluminum case / Glass face	
9 Connection gasket (2)	EPDM	Commercial grade
10 T-handle	Coated aluminum	Commercial grade, die cast
11 Handle nut	Dacromet coated steel with resin lock	ASTM A510 UNS G10060

DIMENSIONS

Size	A	B	C	D
1"	5.31	5.53	1" NPT	3/4" GHT
1-1/4"	5.66	5.77	1-1/4" NPT	3/4" GHT



Pictured:
Integrated Adapter
Dimensional View