

SUBMITTAL SHEET

JOB NAME		ITEM TAG
JOB LOCATION		PART NUMBER
CONTRACTOR	DATE	
ENGINEER APPROVAL	DATE	

EXPANSION / FILL TEE

Expansion Tank/Fill Valve System Connection

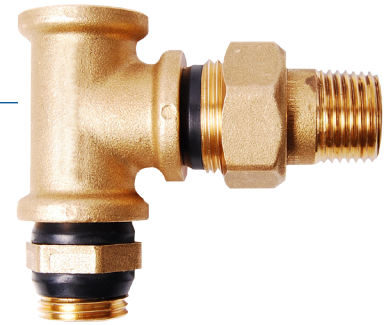
1/2" NPT

EPDM seals at all connections for easy, leak-free connections

Union connection for easy system connection

Use to connect to system expansion tank or fill valve

- End connections comply with ANSI / ASME B1.20.1 (MNPT)
- Manufactured in an ISO accredited facility.



Pictured
Expansion / Fill Tee

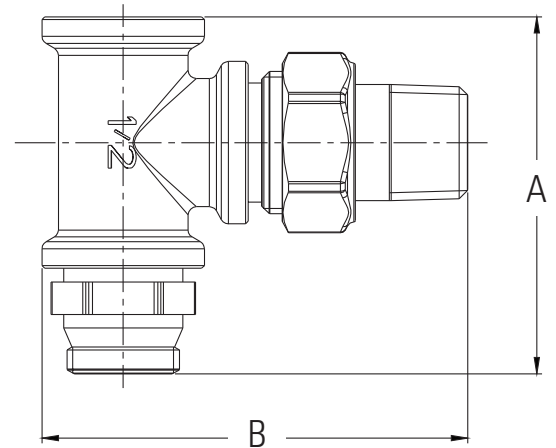
Working Pressures:

Max Working Pressure, Non Shock: 125 p.s.i.

Max Working Temp: 230° F

DIMENSIONS

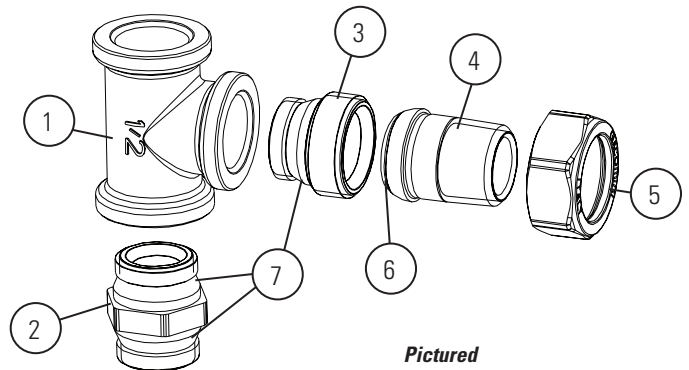
Size	A	B
1/2"	2.60	3.12



Pictured
Expansion / Fill Tee
Dimensions

MATERIAL SPECIFICATION

PART	MATERIAL	SPECIFICATION
1 Tee	Forged brass	ASTM B124 UNS 37000
2 MIPS x MIPS hex nipple	Forged brass	ASTM B124 UNS 37000
3 MIPS x Union adapter	Forged brass	ASTM B124 UNS 37000
4 MNPT Piping connection	Forged brass	ASTM B124 UNS 37000
5 Union nut	Forged brass	ASTM B124 UNS 37000
6 Union seat	High-temperature polymer	Commercial grade
7 Connection gasket (3)	EPDM	Commercial grade



Pictured
Expansion / Fill Tee
Exploded view