

SUBMITTAL SHEET

JOB NAME		ITEM TAG
JOB LOCATION		PART NUMBER
CONTRACTOR	DATE	
ENGINEER APPROVAL	DATE	

CIRCUIT ACTUATOR W/END SWITCH

Manifold Circuit Actuator 8300 Series

Condition in absence of voltage; NC - Normally Closed

First Open Function*

Valve working stroke 0.16" (4mm)

Class II dust protection

Opening time at 77°F ≈ 3 minutes

Working ambient temperature: 32°F - 140°F

Storage ambient temperature: 13°F - 140°F

Fluid temperature : 50°F - 212°F

Mountable in any orientation

Valve position indicator on top of valve casing

Double insulated electrical enclosure

Reliable thermo-electric operation

Technical Data:

Supply voltage: 24VAC

Max Inrush current: 250mA (6 VA) for 2 minutes max

Operating current: 75mA (1.8VA)

Opening/Closing time: approx. 3 minutes

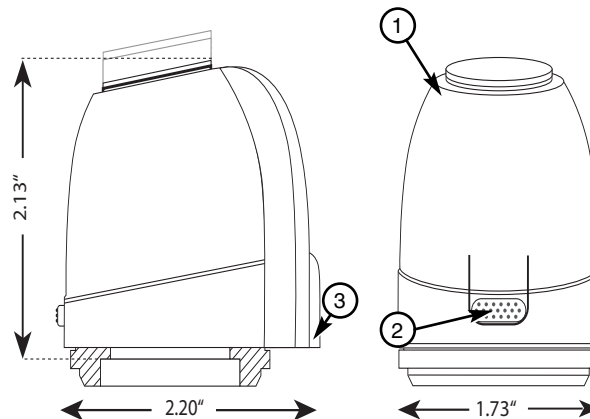
End Switch:

- Normally open (NO)
- 24VAC, 0.5mA max

Wiring Info:

24VAC - Yellow wires

End Switch - Red wires



Pictured
Circuit Actuator
Cable not shown

MATERIAL SPECIFICATION

PART	MATERIAL
1 Casing Material	Flame retardent plastic
2 Valve release	Flame retardent plastic
3 Cable connection	Flame retardent plastic
4 Supply cable	4 wire 36" useful length

*With the First-Open Function, the actuator is shipped in the open position, even for the normally-closed version. This function makes installations easier, allowing fill and purge of the system without having to remove the actuator. The actuator will return to the normally-closed position after the first 6 minutes power is applied.