

SUBMITTAL SHEET

JOB NAME		ITEM TAG
JOB LOCATION		PART NUMBER
CONTRACTOR	DATE	
ENGINEER APPROVAL	DATE	

CIRCUIT ACTUATOR W/END SWITCH

Manifold Circuit Actuator 8000, 8100 & 8200 Series

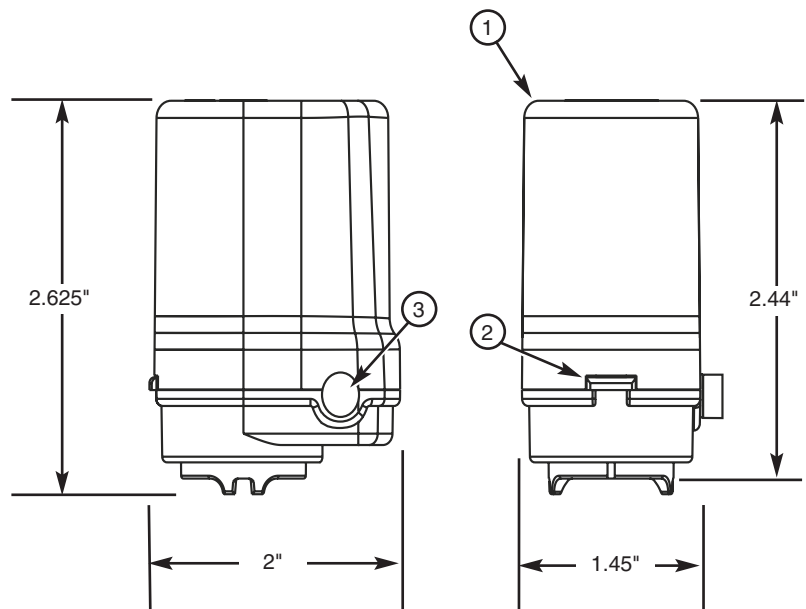
Condition in absence of voltage; NC - Normally Closed
 Valve working stroke 0.10"
 Class II dust protection
 Opening time at 77°F ≈ 6 minutes
 Working ambient temperature: 23°F - 122°F
 Storage ambient temperature: -4°F - 149°F
 Fluid temperature: 23°F - 194°F
 Mountable in any orientation
 Valve position indicator on top of valve casing
 Double insulated electric enclosure
 Reliable thermo-electric operation

Technical Data:

Supply voltage: 24 VAC
 Max Inrush current: 0.2A (4.8VA) for 12 minutes max
 Operating current: 3.0W (3VA)
 Opening/Closing time: approx. 6 minutes @ 77°F
 End Switch:
 - Normally open (NO)
 - Max 1.5A, 240 VAC
 Wiring info:
 24 VAC - Brown & Blue wires
 End switch - Black & Gray wires



Pictured
4-Wire Circuit Actuator



Pictured
Circuit Actuator
Cable not shown

MATERIAL SPECIFICATION

PART	MATERIAL
1 Casing material	Flame retardant plastic
2 Valve release	Flame retardant plastic
3 Cable connection	Flame retardant plastic
4 Supply cable	4 wire 30" useful length