

SUBMITTAL SHEET

JOB NAME		ITEM TAG
JOB LOCATION		PART NUMBER
CONTRACTOR	DATE	
ENGINEER APPROVAL	DATE	

PRO PEX CONNECTORS

Pro PEX Tubing-to-Manifold Connector

For use with crosslinked polyethylene (PEX) tubing and ASTM F1960 cold expansion fittings.

Reliable O-ring seal is superior to flat washer-type seals.

Cold expansion tool is required.

A PEX tubing cutter and adjustable wrench are all that is needed.

- Compatible with PEX tubing manufactured to ATM F1960.
- Manufactured in an ISO accredited facility.
- Not for use with PEX-AL-PEX tubing. Please see the composite Tubing-to-manifold connector submittal sheet.



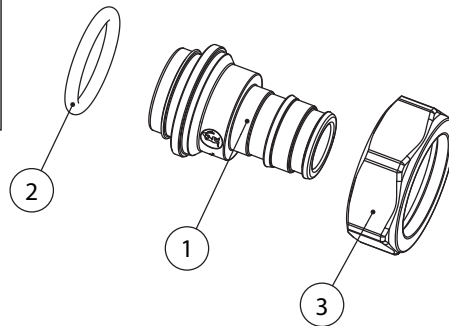
Working Pressures:

Max Working Pressure, Non Shock: 125 p.s.i.

Max Working Temp: 230° F

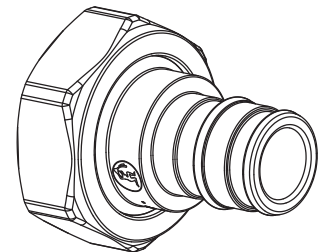
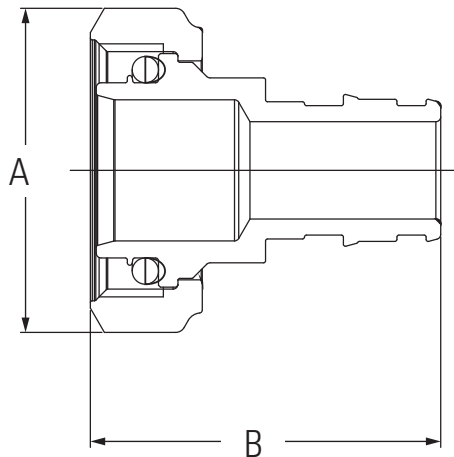
MATERIAL SPECIFICATION

PART	MATERIAL	SPECIFICATION
1 Insert adapter	Forged DZR brass	UNI-EN 12164 CW602W
2 O-ring	EPDM rubber	Commercial grade
3 Compression nut	Forged brass	ASTM B124 86C 37700



DIMENSIONS

Size	W	L
1/2"	1.31	1.42
5/8"	1.31	1.57
3/4"	1.31	1.65



**Pictured
Tubing Connector: all sizes
except 3/4"**
Exploded view