

SUBMITTAL SHEET

JOB NAME	ITEM TAG
JOB LOCATION	PART NUMBER
CONTRACTOR	DATE
ENGINEER APPROVAL	DATE

ANTI-SIPHON FROST-FREE SILLCOCK

T-552

Frost-free design locates the shutoff within a heated space, when installed correctly

Durable chrome-plated body offers superior corrosion resistance over unplated versions

Extended-hub handwheel moves the operator's hands away from the sharp hose bibb threads

A tapered sill wedge, included with each valve, eases installation onto a variety of sill types, by guiding the outlet downward at the proper 5-degree angle.

Equipped with an anti-siphon vacuum breaker and internal check valve, to prevent backflow into the potable water system.

Working Pressure, Non-Shock (PSI)

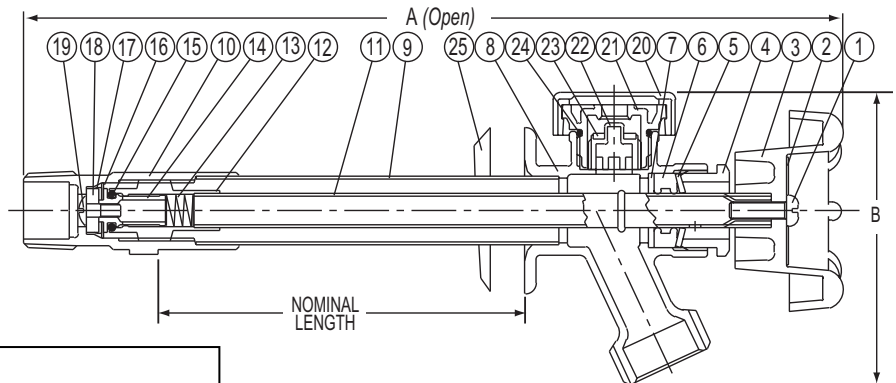
Cold working pressure (CWP): 125

Saturated Steam: Not suitable for steam service

- Truesdail Labs certified to ANSI/NSF Standard 61-9
- Certified to A.S.S.E. Standard 1019, Type A
- CSA certified
- UPC/IAPMO certified



- End connections comply with ANSI/ASME B1.20.1, B1.20.7 and ASME B16.18
- Manufactured in an ISO accredited facility



**Pictured
T-552
Cut-away**

MATERIAL SPECIFICATION

PART	MATERIAL	SPECIFICATION
1 Handle screw	Brass	ASTM B134 UNS C27000
2 Identification plate	Aluminum	ASTM B209-1100
3 Handwheel	Cast zinc	ASTM B86
4 Stem packing nut	Chrome-plated forged brass	ASTM B16 UNS C36000
5 Packing gland follower	Stainless steel	AISI grade 304
6 Stem packing	NBR (Buna-N) rubber	Commercial grade
7 Packing gland base washer	Steel	AISI grade 304
8 Body (exterior)	Chrome-plated cast brass	ASTM B584 C85700
9 Body tube (interior)	Chrome-plated brass	ASTM B135 UNS C26000
10 End adapter (interior)	Chrome-plated cast brass	ASTM B584 C85700
11 Stem	Brass	ASTM B135 UNS C26000
12 Stem guide	Forged brass	ASTM B16 UNS C36000
13 Piston check spring	Stainless steel	AISI grade 304
14 Piston check	Forged brass	ASTM B16 UNS C36000
15 Piston check O-ring	NBR (Buna-N) rubber	Commercial grade
16 Piston check diaphragm	NBR (Buna-N) rubber	Commercial grade
17 Seat washer cup	Forged brass	ASTM B16 UNS C36000
18 Seat washer	NBR (Buna-N) rubber	Commercial grade
19 Seat washer screw	Stainless steel	AISI grade 304
20 Vacuum breaker cap	Polypropylene plastic	High-impact grade
21 Vacuum breaker body	Acetal copolymer plastic	Celcon M90
22 Vacuum breaker piston	Acetal copolymer plastic	Celcon M90
23 Vacuum breaker seat washer	NBR (Buna-N) rubber	Commercial grade
24 Vacuum breaker O-ring	NBR (Buna-N) rubber	Commercial grade
25 Siding wedge	Nylon* resin	Commercial grade

DIMENSIONS

Size	A	A	A	B
Nom. length	1/2" MNPT x 1/2" Swt.	1/2" PEX	3/4" M x 1/2" FNPT	
4"	9.25	10.05		3.19
6"	11.26	12.06		3.19
8"	13.27	14.07	13.19	3.19
10"	15.28	16.08	15.19	3.19
12"	17.28	18.08	17.19	3.19
14"	19.29	20.09		3.19

* Nylon is a registered trademark of the DuPont Company