

JOB NAME	ITEM TAG
JOB LOCATION	PART NUMBER
CONTRACTOR	DATE
ENGINEER APPROVAL	DATE

LEAD FREE MULTI-TURN ANTI-SIPHON FREEZE RESISTANT SILLCOCK

T-552NL and T-552PNL

Lead-free design is suitable for all no-lead potable water installations, in full compliance of Federal Public Law 111-380

Durable chrome-plated body offers superior corrosion resistance over unplated versions.

Extended-hub handwheel moves the operator's hands away from the sharp hose bibb threads

A tapered sill wedge, included with each valve, eases installation onto a variety of sill types by pitching the outlet downward, to the proper 5-degree angle.

The outlet orientation tab at the inlet connection, clearly shows the hose bibb outlet's position and is easier to see than a simple mark, in low-light installations.

Equipped with an anti-siphon vacuum breaker and internal check valve, to prevent backflow into the potable water system.

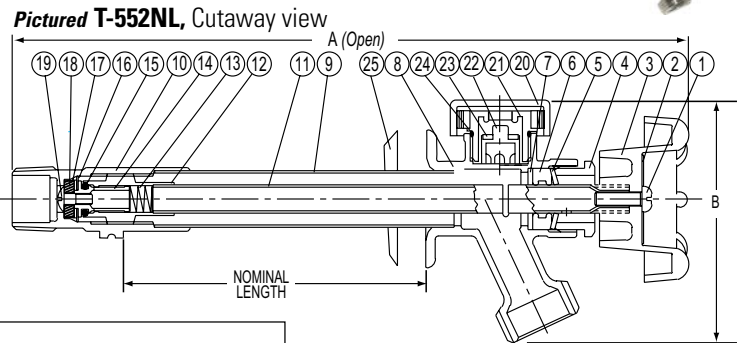
Available in nominal sizes 3/4" MNPT x 1/2" FNPT, 1/2" MNPT x 1/2" sweat and 1/2" PEX, in 4", 6", 8", 10", 12" and 14" nominal lengths.

Working Pressure, Non-Shock (PSI)

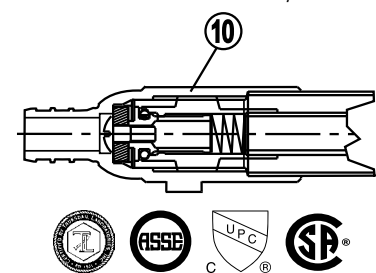
Cold Working Pressure (CWP): 125 p.s.i.

Saturated steam (WSP): Not suitable for steam service

- Third-party tested and certified in compliance with U.S. Federal Public Law 111-380 (National lead-free plumbing law).
- Certified to NSF/ANSI Standard 61 Annex F and Annex G
- Meets NSF/ANSI 372 lead content requirements
- A.S.S.E 1019 Certified, Type A device
- cUPC / IAPMO approved, CSA (Canada plumbing) certified
- End connections comply with the following specifications:
 - ANSI / ASME B1.20.1 (MNPT and FNPT)
 - ANSI / ASME B16.18 (CTS solder)
 - ASTM F1807 (PEX barb)
 - ANSI / ASME B1.20.7 (male garden hose outlet)
- Manufactured in an ISO accredited facility



Pictured T-552PNL, Cutaway view -- inlet



MATERIAL SPECIFICATION		
PART	MATERIAL	SPECIFICATION
1	Handle screw	Brass ASTM B134 UNS C27000
2	Identification disc	Aluminum ASTM B209-1100
3	Handwheel	Cast zinc-aluminum, coated ASTM B86
4	Stem packing nut	Chrome-plated forged brass ASTM B16 UNS C36000
5	Packing gland follower	Stainless steel AISI grade 304
6	Stem packing	NBR (Buna-N) rubber Commercial grade
7	Packing gland base washer	Stainless steel AISI grade 304
8	Body (exterior)	Chrome-plated lead-free cast brass UNS Alloy C46400
9	Body tube (interior)	Chrome-plated brass ASTM B135 UNS C27000
10	End adapter (inlet)	Chrome-plated lead-free cast brass UNS Alloy C46400
11	Stem	Brass ASTM B135 UNS C27000
12	Stem guide	Forged brass UNS Alloy C46400
13	Piston check spring	Stainless steel AISI grade 304
14	Piston check	Forged brass UNS Alloy C46400
15	Piston check O-ring	NBR (Buna-N) rubber Commercial grade
16	Piston check diaphragm	Silicone rubber Commercial grade
17	Seat washer cup	Forged brass ASTM B16 UNS C36000
18	Seat washer	NBR (Buna-N) rubber Commercial grade
19	Seat washer screw	Stainless steel AISI grade 304
20	Vacuum breaker cap	ABS plastic High-impact grade
21	Vacuum breaker body	Acetal copolymer plastic Celcon M90
22	Vacuum breaker piston	Acetal copolymer plastic Celcon M90
23	Vacuum breaker piston seat washer	NBR (Buna-N) rubber Commercial grade
24	Vacuum breaker body O-ring	NBR (Buna-N) rubber Commercial grade
25	Siding wedge	LDPE resin Commercial grade

Nominal Length	A			B
	1/2" MNPT x 1/2" Swt.	1/2" PEX	3/4" MNPT x 1/2" FNPT	
4"	9.33	9.33		3.20
6"	11.34	11.34		3.20
8"	13.35	13.35	13.35	3.20
10"	15.35	15.35	15.35	3.20
12"	17.36	17.36	17.36	3.20
14"	19.37	19.37		3.20