

SUBMITTAL SHEET

JOB NAME		ITEM TAG
JOB LOCATION		PART NUMBER
CONTRACTOR	DATE	
ENGINEER APPROVAL	DATE	

LEAD-FREE DZR BRASS PEX TUBING FITTINGS

Elbows, Tees, Plugs, Couplings and Adapters

Designed for potable water plumbing applications. Not recommended for hydronic heating installations; crimp-on-barb connection types are suitable for plumbing applications only.

Lead-free construction is suitable for all State and pending U.S. Federal Public Law (111-380) potable water installations.

Dezincification-resistant (DZR) brass resists corrosion from exposure to a wide variety of water conditions.

Barbed end connections are designed for insertion into PEX tubing that conforms to ASTM F 876 and F 877.

Designed for use with copper crimp rings (offered separately) that are manufactured in compliance with ASTM F 1807. Other types, (which are currently not offered) such as stainless steel clamp bands or clamp sleeves are acceptable alternates, providing they're manufactured in compliance with ASTM F 2098.

Available in 3/8", 1/2", 3/4" and 1" PEX tubing sizes, in fourteen configurations

Working Pressure, Non Shock (PSI)

100 CWP

Maximum temperature: 180°F

MATERIAL SPECIFICATION

PART	MATERIAL	SPECIFICATION
1	All PEX fitting configurations	Lead-free DZR brass UNS C46500

SPECIFICATIONS FOR LEAD-FREE DZR BRASS PEX FITTINGS:

AMERICAN SOCIETY FOR TESTING AND MATERIALS (ASTM):

ASTM F 1807: Standard Specification for Metal Insert Fittings Utilizing a Copper Crimp Ring for SDR9 Cross-linked Polyethylene (PEX) Tubing

AMERICAN NATIONAL STANDARDS INSTITUTE (ANSI)

AND AMERICAN SOCIETY OF MECHANICAL ENGINEERS (ASME):

ANSI/ASME B1.20.1: Pipe threads, general purpose, inch.

ASME 16.18: Cast Copper Alloy Solder Joint Pressure Fittings.

- IAPMO tested and certified in compliance with ANSI / NSF Standard 61 Annex G



- Fittings comply with the ASTM F 1807 and CSA B137.5 Standards.



SUBMITTAL SHEET

JOB NAME		ITEM TAG
JOB LOCATION		PART NUMBER
CONTRACTOR	DATE	
ENGINEER APPROVAL	DATE	

LEAD-FREE PRESSURE FITTINGS

PEX x PEX x FNPT Brass Drop-Ear Tee

Lead-free design is suitable for all no-lead potable water installations, in full compliance of all lead-free plumbing laws.

Drop-ear holes accept most screw fastener types, permitting easy attachment to cross-brackets.

Integral drop-ears and large flat-back, provide enhanced stability between the PEX and the threaded branch leg.

Stand off height provides ample room for the crimp tool to be used after the fitting has been mounted.

Available in 1/2" PEX x 1/2" FNPT size only.

Working Pressure, Non Shock (PSI)

Cold working pressure (CWP): 125 p.s.i.

Saturated Steam (WSP): Not suitable for steam service

- Third-party tested and certified in compliance with U.S. Federal Public Law 111-380 (National lead-free plumbing law).

- End connections comply with:
 - ANSI / ASME B1.20.1 (FNPT)
 - ASTM F1807 (PEX barb)

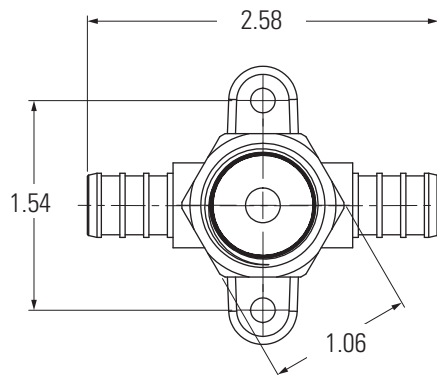
- Manufactured in an ISO accredited facility.



Pictured:
PEX x FNPT Drop-ear tee

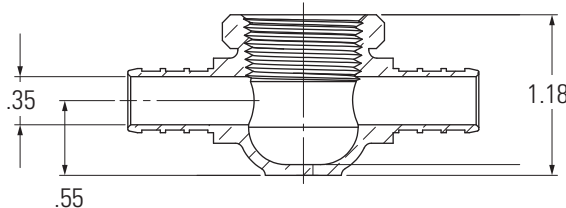
MATERIAL SPECIFICATION

PART	MATERIAL	SPECIFICATION
1 Fitting Body	Lead-free forged brass	UNS Alloy C46400



Pictured:
PEX x FNPT Drop-ear tee
Overhead view

Pictured:
PEX x FNPT Drop-ear tee
Cut-away



Pictured:
PEX x FNPT Drop-ear tee
End view

