

TECHNICAL BULLETIN

APRIL 2020 Supersedes version from December 2018

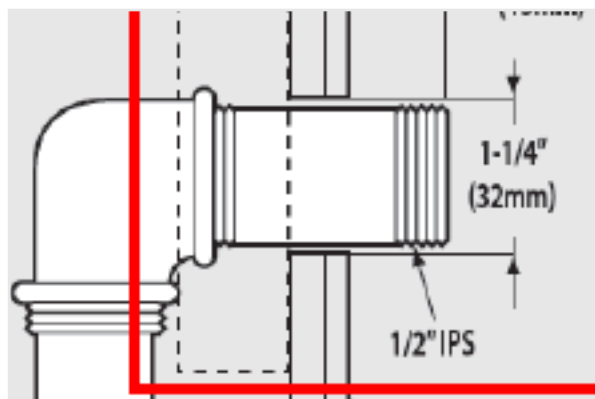
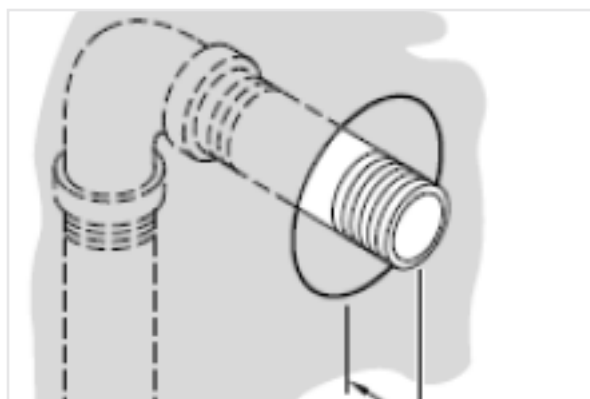
SUBJECT: LEGEND VALVE BRASS AND CPVC DROP EAR ELBOWS WITH POT-FILLER FAUCET INSTALLATIONS

The use of Legend Valve's Brass and CPVC Drop Ear Elbow fittings for the installation of Pot-Filler faucets is an improper use of these fittings. Drop ear elbows are designed to be used when plumbing remains stationary and fixed, usually at the termination of a water line.

Shower heads are a very typical application. Standard brass and CPVC drop ear elbows were never intended to support movable objects such as pot filler arms, especially with the additional weight and cantilevered effect. A typical shower head filled with water weighs less than 1lb and generally extends less than a foot, which imparts less than 1 ft-lb of static load on the threaded portion of the drop ear. Conversely a pot filler can weigh up to 7 lbs and extend 2-1/2 to 3 feet, loading the drop ear up to 21 ft-lb or more (20x's its intended design). In addition the dynamic nature of a pot filler arm being moved around a stove top imparts additional dynamic loads to the drop ear that it was never designed for.

Therefore the use of any of Legend's Brass and CPVC Drop Ear Elbows on a pot filler line is an inappropriate use of these products.

Please note, ALL manufacturer's instructions of the Pot-Filler faucet must be followed completely for proper function, including the proper installation of the wall flange, and support for the nipple and fitting behind the wall. Most Pot-Filler faucet manufacturers do not call for the use of a drop ear elbow for proper installation. Please consult the Pot-Filler Faucet's manufacturer's installation instructions for details.



In addition, observe all local plumbing and building codes.