

## SUBMITTAL SHEET

JOB NAME	ITEM TAG
JOB LOCATION	PART NUMBER
CONTRACTOR	DATE
ENGINEER APPROVAL	DATE

# MULTI-TURN ANTI-SIPHON FREEZE-RESISTANT SILLCOCK

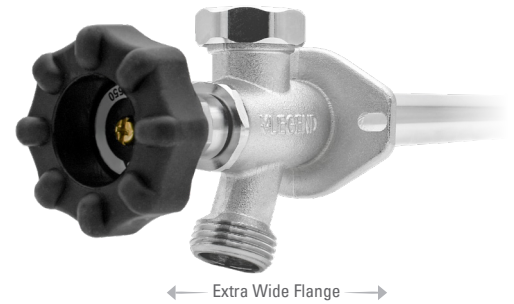
## TM-550, TM-550P, TMP-550, and TM-550P1960

Easy to grip Softouch™ TPR coated metal handle.

Oversized, 5° angled mounting flange for ease of installation. Includes EPDM rubber gasket.

Integrated anti-siphon vacuum breaker with chrome-plated brass cap.

ASSE 1019-Type A Device.<sup>1</sup>



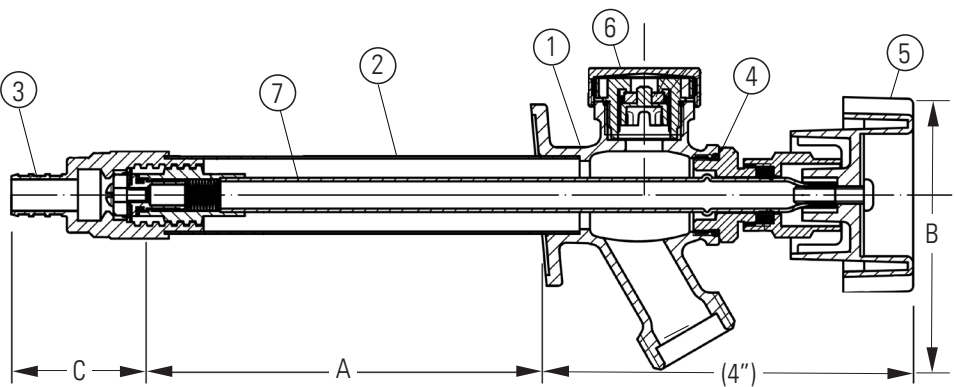
← Extra Wide Flange →

MATERIAL SPECIFICATION		
PART	MATERIAL	SPECIFICATION
1 Exterior body	Brass, chrome plated	UNS Alloy C85700
2 Outer Tube	Lead-free brass, chrome plated	UNS Alloy C27000
3 End Adapter	Brass, chrome plated	UNS Alloy C36000
4 Bonnet nut assembly	Brass, chrome plated	UNS Alloy C36000 / Other
5 Handwheel	Aluminum & TPR rubber	--
6 Vacuum breaker assembly	Forged brass / POM	--
7 Stem assembly	Lead-free brass / Other	UNS Alloy C36000 / Other



DIMENSIONS - Inch		
Size	A	B
4"	4	3.4
6"	6	3.4
8"	8	3.4
10"	10	3.4
12"	12	3.4
14"	14	3.4

DIMENSIONS - Inch		
Inlet Type	C	
1/2" MNPT / 1/2" Sweat	1.06	
1/2" PEX (F1807)	1.12	
1/2" PEX (F1960)	1.25	
1/2" Press	1.81	
3/4" MNPT / 1/2" FNPT	1.12	



**Certifications/Listings:**

Third-party certified  
ASSE 1019-A: Performance requirements for wall hydrant with backflow protection and freeze resistance

**Standards:**

- ANSI/ASME B1.20.1: Pipe threads, general purpose, Inch
- ANSI/ASME B16.18: Cast pressure alloy solder-joint pressure fitting
- ASTM F1807: Metal insert fittings utilizing a copper crimp ring or stainless steel clamps.
- ASTM F1960: Cold expansion fittings with PEX reinforcing rings.
- ANSI/ASME B16.51: Copper and copper alloy press-connect pressure fittings

**Pictured:**  
TM-550  
Cut-away