

## SUBMITTAL SHEET

JOB NAME	ITEM TAG
JOB LOCATION	PART NUMBER
CONTRACTOR	DATE
ENGINEER APPROVAL	DATE

# LEAD-FREE BRONZE FULL PORT BALL VALVE

## T/S-901NL

Lead-free design is suitable for all no-lead potable water installations, in full compliance of all lead-free plumbing laws.

Bottom-loaded, blowout-proof stem with Teflon\* packing gland and forged brass packing nut.

Durable Teflon\* seats.

Self-cleaning forged brass ball is chrome-plated, to resist scale build-up.

Available in: female pipe threaded sizes: 1/4" to 2"  
female sweat tubing sizes: 1/2" to 2"

### Working Pressure, Non Shock (PSI)

Cold working pressure (CWP): 1/4" - 2" 600 psi  
Saturated steam (WSP): All sizes: 150 psi

- Third-party tested and certified in compliance with U.S. Federal Public Law 111-380 (National Lead-Free Plumbing Law).
- Truesdail Labs certified to ANSI / NSF 61-G: Meets NSF372 lead content requirements.
- Conforms to MSS SP-110
- End connections comply with:  
ANSI / ASME B1.20.1 (FNPT)  
ANSI / ASME B16.18 (CTS Sweat)
- Manufactured in an ISO accredited facility.



**Pictured:  
T-901NL**

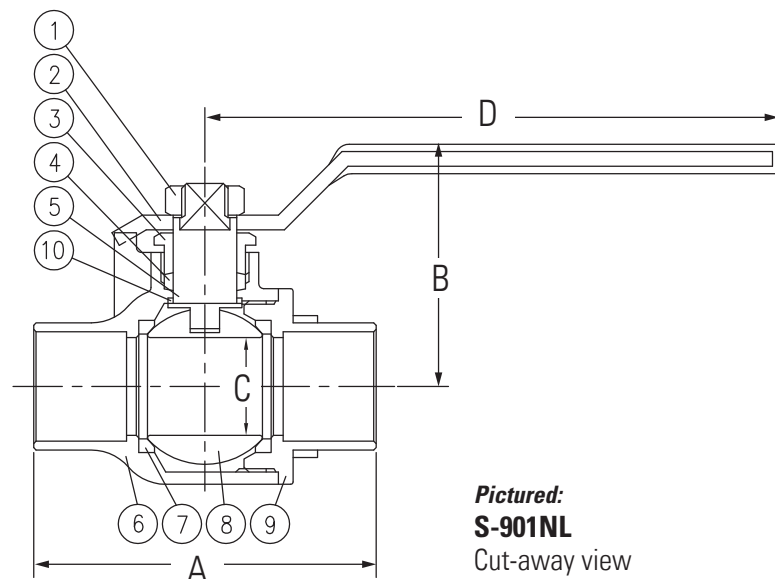


MATERIAL SPECIFICATION			
PART	MATERIAL	SPECIFICATION	
1 Handle nut	Steel	AISI 1010	
2 Handle	Steel	ASTM A 283 D	
3 Packing nut	Forged brass	ASTM B16 UNS C36000	
4 Stem packing	PTFE	Teflon*	
5 Stem	Lead-free forged brass	UNS Alloy C46400	
6 Body	Lead-free cast bronze	UNS Alloy C89844	
7 Seats (2)	PTFE	Teflon*	
8 Ball	Chrome-plated lead-free forged brass	UNS Alloy C46400	
9 End adapter	Cast bronze	UNS Alloy C89844	
10 Thrust washer	PTFE	Teflon*	

\*Teflon is a registered trademark of DuPont.

DIMENSIONS						
Size	A (IPS)	A (Cx C)	B	C	D	CV**
1/4"	1.81	-	1.46	0.39	3.31	7.68
3/8"	1.81	-	1.46	0.39	3.31	7.80
1/2"	2.17	1.93	1.54	0.50	3.31	10.00
3/4"	2.56	2.76	1.97	0.79	4.65	26.00
1"	2.95	3.31	2.13	0.98	4.65	48.00
1-1/4"	3.43	3.78	2.60	1.26	5.28	70.00
1-1/2"	3.74	4.29	2.76	1.50	5.28	105.00
2"	4.37	5.39	3.46	1.97	7.87	200.00

\*\*The CV Factor is the gallons of water per minute passed through the valve with a 1 PSI pressure drop.



**Pictured:  
S-901NL  
Cut-away view**