

SUBMITTAL SHEET

JOB NAME	ITEM TAG
JOB LOCATION	PART NUMBER
CONTRACTOR	DATE
ENGINEER APPROVAL	DATE

TWO-PIECE FULL PORT STAINLESS STEEL BALL VALVE

T-712

This product conforms to the National lead-free plumbing law. Materials used in its manufacture are required to be lead-free, as specified in the applicable ASTM and AISI standards.

Heavy-duty two-piece investment cast body design.

Bottom-loaded blowout-proof stem.

Equipped with a latch-lock handle.

Ideal for commercial and industrial applications.

Integral, tapped mounting pad for actuation or panel attachment.

Sizes 2-1/2" to 4" are equipped with dual mounting pads.

Available in sizes FNPT Nominal sizes 1/4" to 4".

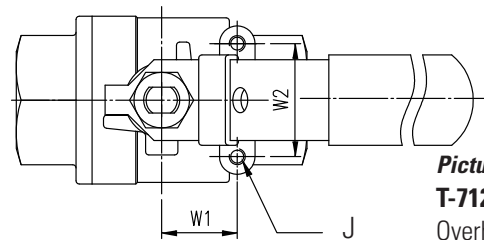
Working Pressure, Non Shock (PSI)

Cold working pressure (CWP):	1000 p.s.i.
Saturated steam (WSP):	150 p.s.i.

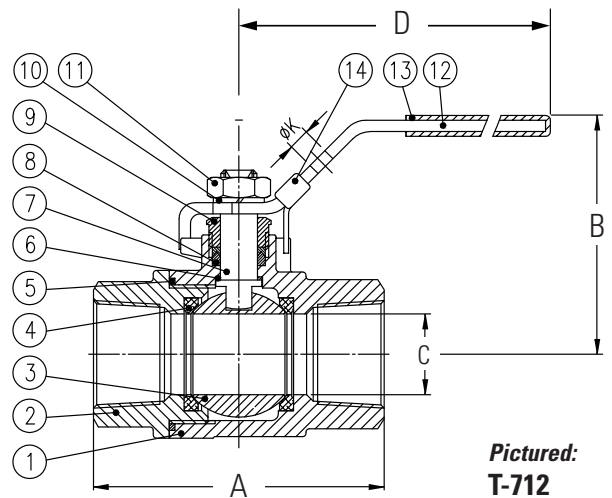
- Conforms to MSS SP-110.
- Threaded end connections comply with ANSI / ASME B1.20.1
- Manufactured in an ISO accredited facility.



Pictured:
T-712



Pictured:
T-712
Overhead view



Pictured:
T-712
Cut-away

MATERIAL SPECIFICATION

In order to meet the Standards' material specifications, none of the wetted components' materials allow for the presence of lead.

PART	MATERIAL	SPECIFICATION
1 Body	Investment cast 316 stainless steel	ASTM A351 CF8M
2 End adapter	Investment cast 316 stainless steel	ASTM A351 CF8M
3 Ball	316 Stainless steel	1-4" & 3/8": ASTM A276 316
	Investment cast 316 stainless steel	1/2"- 4": ASTM A351 CF8M
4 Seats (2)	PTFE	Telfon*
5 End adapter seal	PTFE	Telfon*
6 Thrust washer	PTFE	Telfon*
7 Stem	316 Stainless steel	ASTM A276 316
8 Stem packing (dual-ring)	PTFE	Telfon*
9 Packing nut	304 Stainless steel	AISI 304
10 Split (lock) washer	304 Stainless steel	AISI 304
11 Handle nut	304 Stainless steel	AISI 304
12 Handle	304 Stainless steel	AISI 304
13 Handle sleeve	Vinyl	Commercial grade
14 Latch lock	304 Stainless steel	AISI 304

*Telfon is a registered trademark of DuPont.

DIMENSIONS

Size	A	B	C	D	J	K	W1	W2
1/4"	2.17	1.97	0.45	3.94	10-24 UNC screw thread	0.20	0.50	1.12
3/8"	2.17	1.97	0.49	3.94	10-24 UNC screw thread	0.20	0.50	1.12
1/2"	2.56	2.36	0.59	5.12	10-24 UNC screw thread	0.30	0.50	1.12
3/4"	2.94	2.52	0.79	5.12	10-24 UNC screw thread	0.30	0.88	1.38
1"	3.46	2.80	0.98	6.50	10-24 UNC screw thread	0.30	0.88	1.38
1-1/4"	4.002	3.07	1.26	6.50	1/4"-20 UNC screw thread	0.30	1.00	1.50
1-1/2"	4.33	3.39	1.50	7.48	1/4"-20 UNC screw thread	0.30	1.00	1.50
2"	4.92	3.74	1.97	7.48	1/4"-20 UNC screw thread	0.30	1.00	1.50
2-1/2"	6.31	5.14	2.54	9.88	1/4"-20 UNC screw thread**	0.40	1.38	2.18
3"	6.94	5.64	3.10	10.25	1/4"-20 UNC screw thread**	0.40	1.38	2.18
4"	9.50	6.81	3.88	13.18	1/4"-20 UNC screw thread**	0.40	1.96	2.46

**Sizes 2-1/2" to 4" are equipped with dual mounting pads.