

SUBMITTAL SHEET

JOB NAME	ITEM TAG
JOB LOCATION	PART NUMBER
CONTRACTOR	DATE
ENGINEER APPROVAL	DATE

1 PC. STAINLESS STEEL BALL VALVE

Model T-710MxF-T

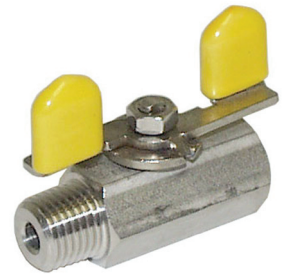
800 P.S.I. W.O.G.

Working Pressure, Non Shock (PSI)

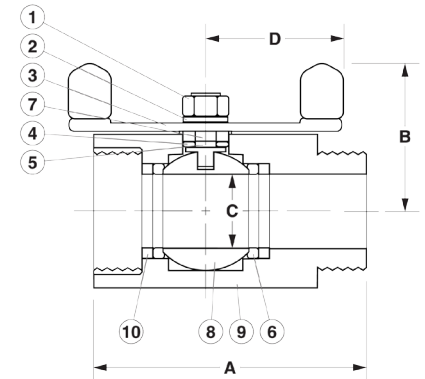
Cold working pressure (CWP):

Saturated steam (WSP): 150

Pictured
Model T-710MxF-T



Pictured
Model T-710MxF-T
Cut-away



MATERIAL SPECIFICATION		
PART	MATERIAL	SPECIFICATION
1	Handle nut	304 S.S.
2	Handle	304 S.S.
3	Packing gland	304 S.S.
4	Stem packing	*Teflon
5	Thrust washer	*Teflon
6	Seats	*Teflon
7	Stem	316 S.S.
8	Ball	316 S.S.
9	Body	316 S.S.
10	Seat retainer	316 S.S.

*Teflon is a registered trademark of Dupont

DIMENSIONS				
Size	A	B	C	D
1/4"	1.64	1.19	.20	.97