

SUBMITTAL SHEET

JOB NAME	ITEM TAG
JOB LOCATION	PART NUMBER
CONTRACTOR	DATE
ENGINEER APPROVAL	DATE

ONE-PIECE CONVENTIONAL PORT STAINLESS STEEL BALL VALVE

T-710

Compact, one-piece investment cast body design
Bottom-loaded blowout-proof stem
Equipped with a latch-lock handle (except 1/8" size)
Ideal for commercial or industrial applications where port size is not critical

Working Pressure, Non-Shock (PSI)

Saturated Steam: 150
Cold Water, Oil, Gas: 800

MATERIAL SPECIFICATION: 1/4" - 2" T-710		
PART	MATERIAL	SPECIFICATIONS
1 Body	Investment cast stainless steel	ASTM A351 CF8M
2 Seat retainer	Investment cast stainless steel	ASTM A351 CF8M
3 Ball 1/4" - 3/4":	Stainless steel	ASTM A276 316
1" - 2":	Investment cast stainless steel	ASTM A351 CF8M
4 Seats (2)	PTFE	Dupont Teflon*
5 Seat retainer seal (1-1/4" - 2")	PTFE	Dupont Teflon*
6 Thrust washer	PTFE	Dupont Teflon*
7 Stem	Stainless steel	ASTM A276 316
8 Stem packing	PTFE	Dupont Teflon*
9 Gland bushing	Stainless steel	AISI 304
10 Split (lock) washer	Stainless steel	AISI 304
11 Handle nut	Stainless steel	AISI 304
12 Handle	Stainless steel	AISI 304
13 Handle sleeve	Vinyl	Commercial grade
14 Latch lock	Stainless steel	AISI 304

*TEFLON IS A REGISTERED TRADEMARK OF DUPONT

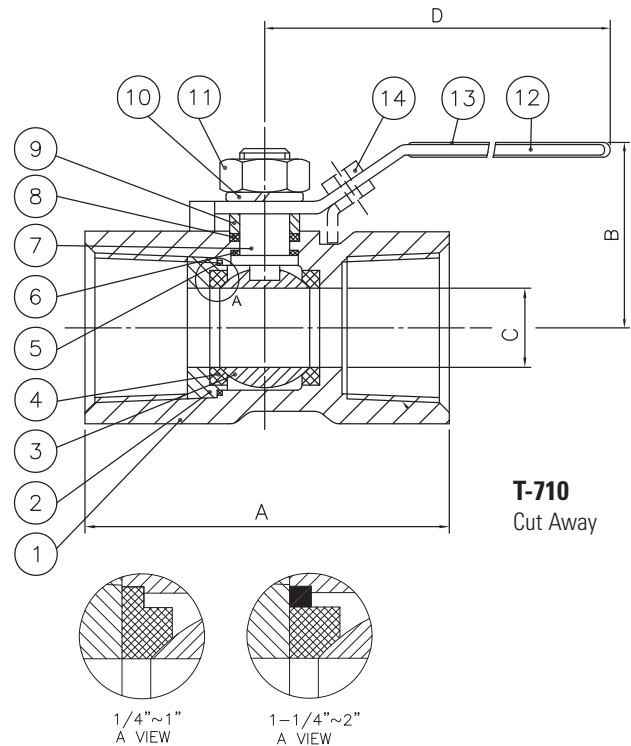
DIMENSIONS				
Size	A	B	C	D
1/4"	1.54	1.38	0.20	2.52
3/8"	1.73	1.46	0.28	2.76
1/2"	2.22	1.71	0.36	3.54
3/4"	2.28	1.85	0.49	3.54
1"	2.80	1.97	0.59	4.06
1-1/4"	3.07	2.24	0.79	4.06
1-1/2"	3.27	2.72	0.98	5.00
2"	3.94	2.93	1.26	5.00

Conforms to Federal Specification WW-V-35C, Type II, Composition: SS, Style: 3

Manufactured in an ISO 9002 accredited facility

Conforms to MSS Standard Practice 110

Threaded end connections comply with ANSI / ASME B1.20.1



T-710
Cut Away

SEE BACK FOR 1/8" T-710 INFORMATION

ONE-PIECE CONVENTIONAL PORT STAINLESS STEEL BALL VALVE

1/8" T-710

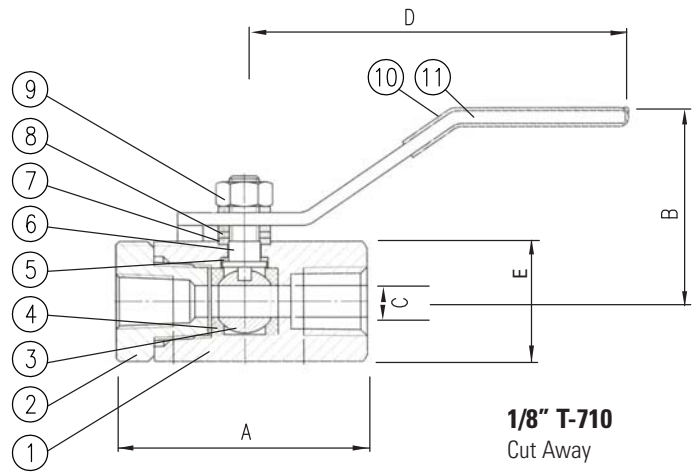
MATERIAL SPECIFICATION: 1/8" T-710

PART	MATERIAL	SPECIFICATIONS
1 Body	Stainless steel - barstock	ASTM A276 316
2 End adapter	Stainless steel	ASTM A276 316
3 Ball	Stainless steel	ASTM A276 316
4 Seats (2)	PTFE	Dupont Teflon*
5 Thrust washer	PTFE	Dupont Teflon*
6 Stem	Stainless steel	ASTM A276 316
7 Stem packing	PTFE	Dupont Teflon*
8 Packing / handle washers (3)	Stainless steel	AISI 304
9 Handle nut	Stainless steel	AISI 304
10 Handle Sleeve	Vinyl	Commercial grade
11 Handle	Stainless steel	AISI 304

*TEFLON IS A REGISTERED TRADEMARK OF DUPONT

DIMENSIONS

Size	A	B	C	D	E
1/8"	1.56	1.20	0.20	2.36	0.75



JOB NAME

JOB LOCATION

CONTRACTOR

DATE

ENGINEER

DATE