

SUBMITTAL SHEET

JOB NAME	ITEM TAG
JOB LOCATION	PART NUMBER
CONTRACTOR	DATE
ENGINEER APPROVAL	DATE

CELCON BOILER DRAIN

Model T-626

150 PSI

Temperature:-20° TO 180°F

Working Pressure, Non Shock (PSI)

Cold working pressure (CWP): 125

Saturated steam (WSP):

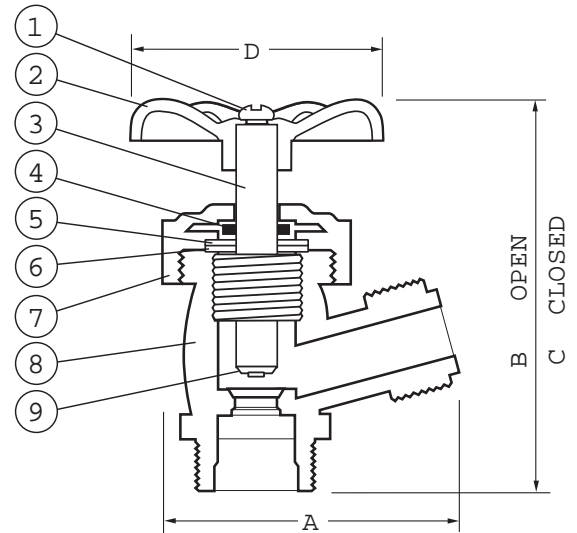


MATERIAL SPECIFICATION

PART	MATERIAL	SPECIFICATION
1	Screw	Zinc plated steel
2	Hand wheel	Polypropylene
3	Stem	Celcon
4	O-Ring	EPDM
5	Hard washer	Celcon
6	Washer	EPDM
7	Bonnet	Celcon
8	Body	Celcon
9	Seat seal	Polyamide nylon 12

DIMENSIONS

Size	A	B	C	D
1/2"	2.68	4.26	4.02	2.05
3/4"	2.68	4.26	4.02	2.05



**Pictured
Model
T-626
Cut-away**