

**SUBMITTAL SHEET**

|                   |             |
|-------------------|-------------|
| JOB NAME          | ITEM TAG    |
| JOB LOCATION      | PART NUMBER |
| CONTRACTOR        | DATE        |
| ENGINEER APPROVAL | DATE        |

**CELCON BOILER DRAIN**

**Model T-625 M.I.P.**

Temperature: -20° TO 180°F

**Working Pressure, Non Shock (PSI)**

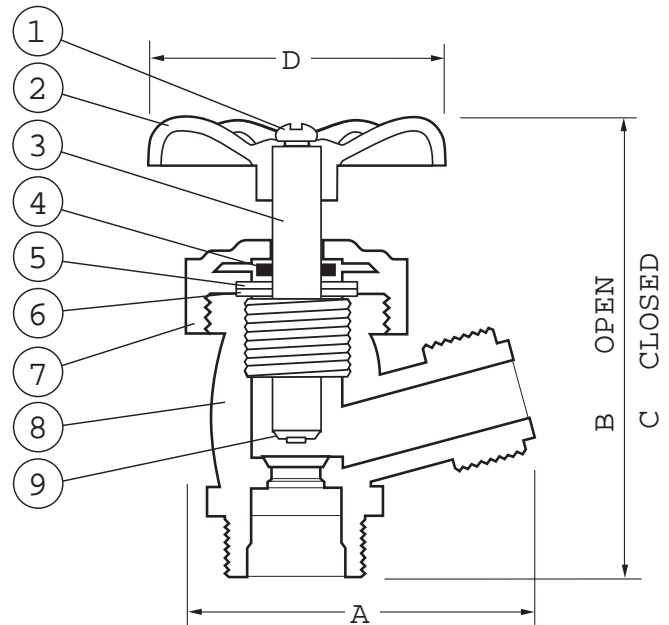
Cold working pressure (CWP): 150

Saturated steam (WSP):

*Pictured*  
**Model T-625  
M.I.P.**



*Pictured*  
**Model T-625 M.I.P.**  
Cut-away



| MATERIAL SPECIFICATION |             |                    |
|------------------------|-------------|--------------------|
| PART                   | MATERIAL    | SPECIFICATION      |
| 1                      | Screw       | Zinc plated steel  |
| 2                      | Hand wheel  | Polypropylene      |
| 3                      | Stem        | Celcon             |
| 4                      | O-Ring      | EPDM               |
| 5                      | Hard washer | Celcon             |
| 6                      | Washer      | EPDM               |
| 7                      | Bonnet      | Celcon             |
| 8                      | Body        | Celcon             |
| 9                      | Seat seal   | Polyamide nylon 12 |

| DIMENSIONS |      |      |      |      |
|------------|------|------|------|------|
| Size       | A    | B    | C    | D    |
| 1/2"       | 2.68 | 4.26 | 4.02 | 2.05 |
| 3/4"       | 2.68 | 4.26 | 4.02 | 2.05 |