

SUBMITTAL SHEET

JOB NAME	ITEM TAG
JOB LOCATION	PART NUMBER
CONTRACTOR	DATE
ENGINEER APPROVAL	DATE

CELCON STOP VALVE

Model T-623

Temperature: -20° TO 180°F

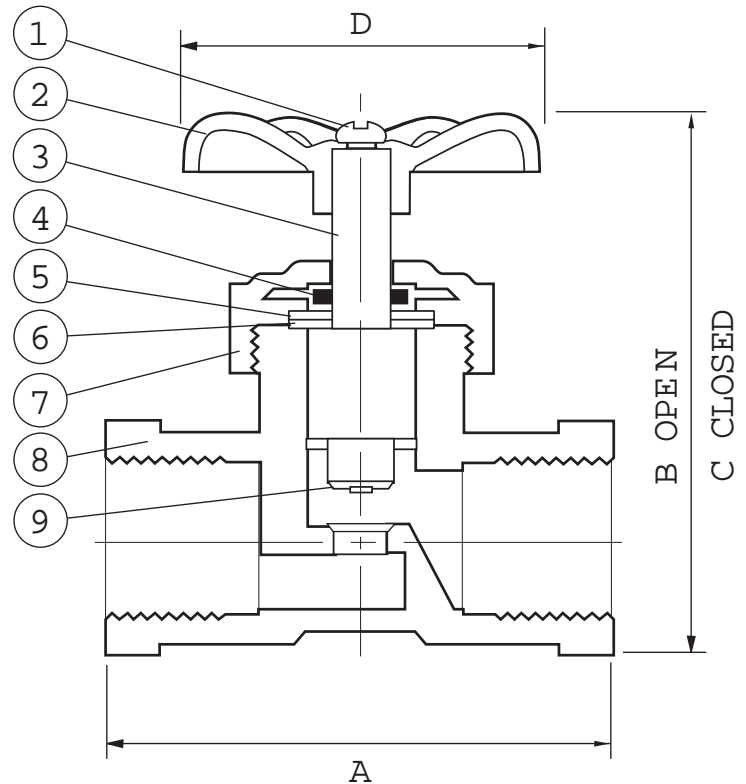
Working Pressure, Non Shock (PSI)

Cold working pressure (CWP): 150

Pictured
Model T-623



Pictured
Model T-623
Cut-away



MATERIAL SPECIFICATION

PART	MATERIAL	SPECIFICATION
1	Screw	Zinc plated steel
2	Hand wheel	Forged polypropylene
3	Stem	Celcon
4	O-ring	EPDM
5	Hard washer	Celcon
6	Washer	EPDM
7	Bonnet	Celcon
8	Body	Celcon
9	Seat seal	Polyamide 12

DIMENSIONS

Size	A	B	C	D
1/2"	2.50	3.68	3.42	2.05
3/4"	2.68	3.78	3.50	2.05