

SUBMITTAL SHEET

JOB NAME	ITEM TAG
JOB LOCATION	PART NUMBER
CONTRACTOR	DATE
ENGINEER APPROVAL	DATE

PVC COMPACT-PATTERN BALL VALVE FOR PVC SCHEDULE 40 PIPE

T/S-601

Constructed of heavy-duty, corrosion-proof, virgin PVC resin.

EPDM seats and stem O-ring assure maintenance-free operation and maximum service life.

Compact-pattern, lightweight molded-in-place body and one-piece ball-stem design, provide exceptional resistance to wear and to pipeline stress distortion.

Designed for installation onto Schedule 40 PVC pipe, for swimming pool, aquarium, irrigation, waste water treatment, chemical processing, marine-corrosive, agriculture, de-watering and many other applications.

Not suitable for use with petroleum-based medias or compressed-air service.

Threaded or solvent-weld end connection types, available in Nominal Pipe Sizes 1/4" (FNPT only) and 1/2" to 4" (FNPT and Solvent-weld).



Pictured:
T-601



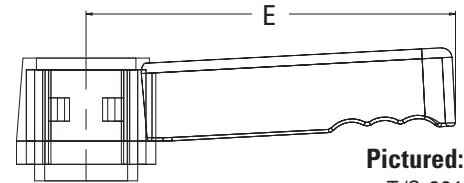
Pictured:
S-601

Working Pressure, Non Shock (PSI)

Cold Working Pressure (CWP):	150 psi @ 73°F
Working Steam Pressure (WSP):	Not suitable for steam service
Maximum service temperature:	140°F

MATERIAL SPECIFICATION

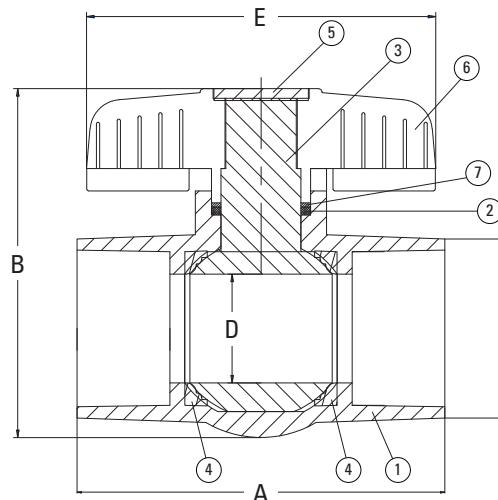
PART	MATERIAL	SPECIFICATION
1 Body	PVC resin	ASTM D1784, Class 12454
2 Stem O-Ring	EPDM	Commercial grade
3 One-piece ball-stem	UPVC resin	ASTM D1784, Class 12454
4 Seats (2)	EPDM	Commercial grade
5 Stem cover	ABS resin	Impact grade
6 Handle (1/4" to 2": T-handle, 2-1/2" to 4": Lever)	ABS resin	Impact grade
7 Anti-friction washer	Polypropylene	Commercial grade



Pictured:
T/S-601
2-1/2", 3", & 4"
Cut-away view
Lever handle

DIMENSIONS - Inch

Nominal IPS	A	B	C	D	E
1/4" (FNPT only)	2.68	2.05	0.95	0.47	2.36
1/2"	3.06	2.44	1.26	0.59	2.67
3/4"	3.58	2.86	1.46	0.75	3.15
1"	4.18	3.46	1.74	0.92	3.69
1-1/4"	4.72	4.04	2.04	1.17	3.94
1-1/2"	5.18	4.41	2.35	1.32	4.33
2"	5.96	5.24	2.95	1.75	5.37
2-1/2"	7.19	6.00	3.57	2.13	7.56
3"	8.23	7.17	4.13	3.12	8.73
4"	9.94	8.39	5.12	3.31	9.85



Pictured:
T/S-601, 1/4" & 1/2" - 4"
Cut-away view

Standards:

ASTM F1970: Standard Specification for Special Engineered Fittings, Appurtenances or Valves for use in Poly (Vinyl Chloride) (PVC) or Chlorinated Poly (Vinyl Chloride) (CPVC) Systems.

ASTM D1784: Standard Specification for Rigid Poly (Vinyl Chloride) (PVC) Compounds and Chlorinated Poly (Vinyl Chloride) (CPVC) Compounds.

ASTM D2466: Standard Specification for Poly (Vinyl Chloride) (PVC) Plastic Pipe Fittings, Schedule 40.

ASTM F1498: Standard Specification for Taper Pipe Threads 60° for Thermoplastic Pipe and Fittings.

ANSI/ASME B1.20.1: Pipe Threads, General Purpose, Inch.