

## SUBMITTAL SHEET

JOB NAME	ITEM TAG
JOB LOCATION	PART NUMBER
CONTRACTOR	DATE
ENGINEER APPROVAL	DATE

# NO LEAD QUARTER-TURN DUAL-HANDLE DUAL-OUTLET SUPPLY STOP

## T-598NL

Dual-handle, dual-ball design permits independent shutoff of either outlet, versus simultaneous shutoff of both, thereby allowing repair to one fixture without having to shut off the other.

Quarter-turn, self-cleaning ball design resists mineral and scale build-up, assuring positive shutoff and re-opening.

An ideal upgrade replacement for worn, leaking multi-turn stops that won't close completely.

Available in multiple configurations for straight and angled design. See the "Dimensions" tables below for detailed configurations.

### Working Pressure, Non Shock (PSI)

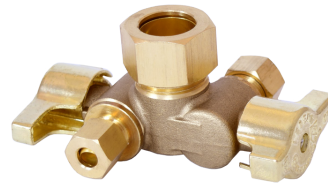
Cold working pressure (CWP):	125 psi
Maximum service temperature:	180°F

MATERIAL SPECIFICATION			
PART	MATERIAL	SPECIFICATION	
1	Handle screw	Plated carbon steel	AISI 1010
2	Handle	Plated zinc	ASTM B86
3	Stem	Lead-free forged brass	ASTM B124 UNS Alloy C46400
4	Stem O-ring (2 per stem)	NBR (Buna-N) rubber	Commercial grade
5	Compression ferrule	Cartridge brass	ASTM B135 UNS Alloy C26000
6	Compression nut	Forged brass	ASTM B16 UNS Alloy C36000
7	Body	Lead-free forged brass	ASTM B124 UNS Alloy C46400
8	Seat	EPDM elastomer	Commercial grade
9	Ball	Lead-free chrome plated forged brass	ASTM B124 UNS Alloy C46400
10	End adapter	Lead-free forged brass	ASTM B124 UNS Alloy C46400

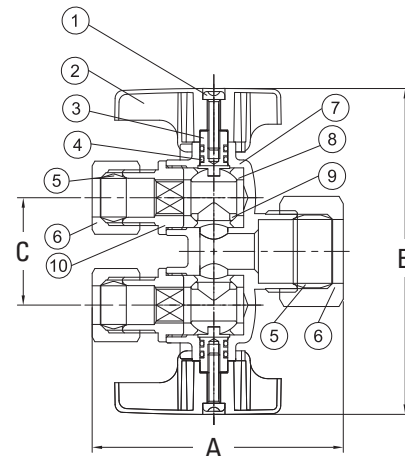
DIMENSIONS-Inch				
O.D. Compression Size	A	B	C	D
<b>Angle</b>				
<b>OD x OD x OD</b>				
5/8" x 3/8" x 1/4"	2.32	3.23	1.06	1.39
5/8" x 3/8" x 3/8"	2.44	3.23	1.06	1.39
<b>F1807 PEX x OD x OD</b>				
1/2" x 3/8" x 1/4"	2.32	3.23	1.06	1.57
1/2" x 3/8" x 3/8"	2.44	3.23	1.06	1.57
<b>F1960 PEX x OD x OD</b>				
1/2" x 3/8" x 1/4"	2.32	3.23	1.06	1.57
1/2" x 3/8" x 3/8"	2.44	3.23	1.06	1.57

DIMENSIONS-Inch				
O.D. Compression Size	A	B	C	D
<b>Straight</b>				
<b>OD x OD x OD</b>				
5/8" x 3/8" x 1/4"	2.48	3.23	1.06	N/A
5/8" x 3/8" x 3/8"	2.48	3.23	1.06	N/A
<b>F1807 PEX x OD x OD</b>				
1/2" x 3/8" x 1/4"	2.80	3.23	1.06	N/A
1/2" x 3/8" x 3/8"	2.80	3.23	1.06	N/A
<b>F1960 PEX x OD x OD</b>				
1/2" x 3/8" x 1/4"	2.80	3.23	1.06	N/A
1/2" x 3/8" x 3/8"	2.80	3.23	1.06	N/A

**Pictured:**  
T-598NL Angle

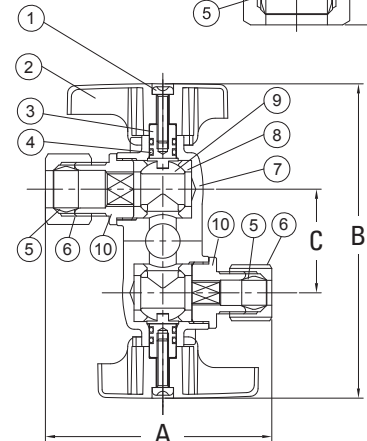
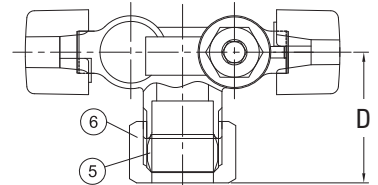


**Pictured:**  
T-598NL Straight



**Pictured:**  
T-598NL Straight  
Cut-away view

**Pictured:**  
T-598NL Angle  
Cut-away view



**Certifications/Listings:**

Third-party certified.

NSF/ANSI 61: Drinking water system components - Health effects.

NSF/ANSI 372: Drinking water system components - Lead content

**Standards:**

ASTM F1807: Metal insert fittings utilizing a copper crimp ring or stainless steel clamps.

ASTM F1960: Cold expansion fittings with PEX reinforcing rings.