

SUBMITTAL SHEET

JOB NAME	ITEM TAG
JOB LOCATION	PART NUMBER
CONTRACTOR	DATE
ENGINEER APPROVAL	DATE



LEAD-FREE QUARTER-TURN BALL-TYPE CHROME SUPPLY STOP
T-596NL



Lead-free design is suitable for all no-lead potable water installations, in full compliance of all lead-free plumbing laws.

Quarter-turn, self-cleaning ball valve design resists mineral and scale build-up, assuring positive shutoff and re-opening.

The ball-seat operation and dual O-ring stem seal features, out-perform traditional multi-turn stop designs.

Compact, forged brass, chrome plated or polished brass bodies are both durable and decorative.

An ideal upgrade replacement for worn, leaking stops that won't close completely.

Available in six straight-pattern configurations, including PEX, compression, and Sweat inlet connections.

Working Pressure, Non Shock (PSI)

Cold working pressure (CWP): 125 psi
Saturated steam (WSP): Not suitable for steam service
Maximum service temperature: 120° F

DIMENSIONS		
Size	A	B
3/8" FIP x 3/8" OD	1.10	2.01
1/2" FIP x 3/8" OD	1.10	2.17
5/8" OD x 3/8" OD*	1.10	2.44
1/2" CPVC x 3/8" OD	1.10	2.76
1/2" PEX x 3/8" OD	1.10	2.24
1/2" PEX x 1/2" PEX	1.10	2.24
1/2" SWT x 3/8" OD	1.10	2.40
Icemaker Options:		
5/8" OD x 1/4" OD	1.10	2.37
1/2" PEX x 1/4" OD	1.10	2.17

* Available in chrome plated or polished brass finishes

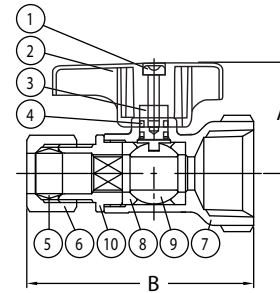
MATERIAL SPECIFICATION			
PART	MATERIAL	SPECIFICATION	
1	Handle screw	Plated carbon steel	AISI 1010
2	Handle	Chrome plated zinc	ASTM B86
3	Stem	Lead-free brass	ASTM B124 UNS C46400
4	Stem O-ring (2)	NBR (Buna-N) rubber	Commercial grade
5	Compression ferrule	Brass	ASTM B135 UNS C26000
6	Compression nut	Chrome plated brass	ASTM B16 UNS C36000
7	Body	Lead-free brass	ASTM B124 UNS C46400
8	Seat (2)	EPDM rubber	Commercial grade
9	Ball	Lead-free brass	ASTM B124 UNS C46400
10	End adapter	Lead-free brass	ASTM B124 UNS C46400
11	Compression ferrule (compression inlet only)	Brass	ASTM B135 UNS C26000
12	Compression nut (compression inlet only)	Chrome plated brass	ASTM B16 UNS C36000
13	Compression nut (CPVC adapter inlet only)	Chrome plated brass	ASTM B16 UNS C36000
14	Adapter gasket (CPVC adapter inlet only)	NBR (Buna-N) rubber	Commercial grade
15	Socket adapter (CPVC adapter inlet only)	Virgin CPVC resin	ASTM D1784, Class 23447
16	PEX barb adapter (PEX inlet only)	Lead-free brass	ASTM B124 UNS C46400

Certifications/Listings:

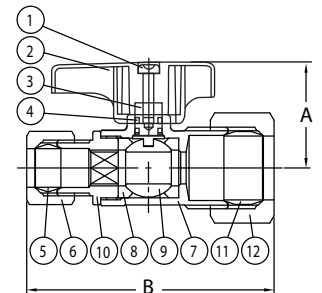
Third-party certified.
ANSI/NSF 61: Drinking water system components health effects.
ANSI/NSF 372: Drinking water system components lead content.

Standards:

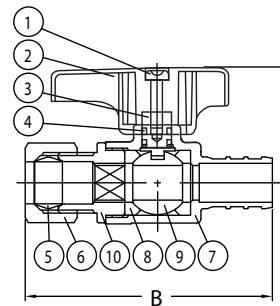
ANSI/ASME B1.20.1: Pipe threads, general purpose (inch)
ANSI/ASME B16.18: Cast copper alloy solder joint pressure fitting.
ASTM F 1807: Metal insert fitting with crimp connection.



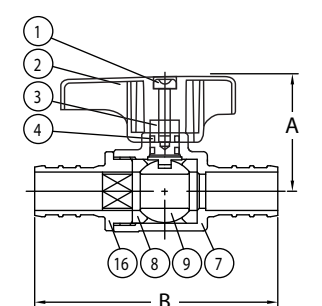
Pictured:
FNPT inlet connection



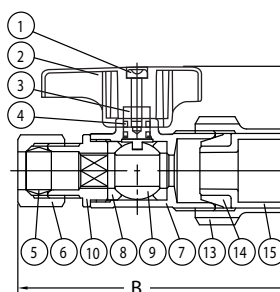
Pictured:
5/8" O.D. compression inlet



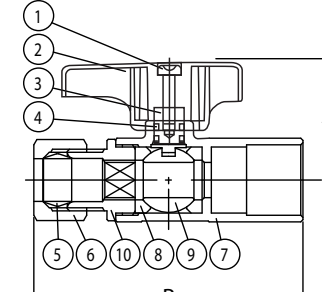
Pictured:
PEX barb inlet connection (crimp-ring, part number 460-903 sold separately)



Pictured:
PEX x PEX barb connections (crimp-ring, part number 460-903 sold separately)



Pictured:
CPVC solvent-weld inlet connection



Pictured:
Sweat tubing inlet connection

SUBMITTAL SHEET

JOB NAME	ITEM TAG
JOB LOCATION	PART NUMBER
CONTRACTOR	DATE
ENGINEER APPROVAL	DATE

NO LEAD QUARTER-TURN BALL-TYPE CHROME SUPPLY STOP

T-596NL F1960 Cold-Expansion Inlet Connection

Proprietary cold-expansion PEX inlet connection utilizes an exaggerated center barb and PEX reinforcing ring (not included) for a permanent, leak-free connection.

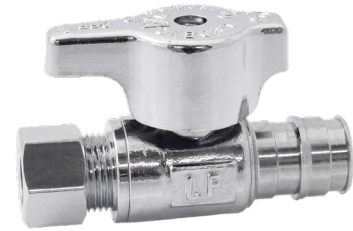
Quarter-turn, self-cleaning ball valve design resists mineral and scale build-up, assuring positive shutoff and re-opening.

The ball-seat operation and dual O-ring stem seal features, out-perform traditional multi-turn stop designs.

Compact lead-free forged brass chrome plated bodies are both durable and decorative.

An ideal upgrade replacement for worn, leaking stops that won't close completely.

Available in 3/8" O.D. or 1/4" O.D. compression outlet connections.

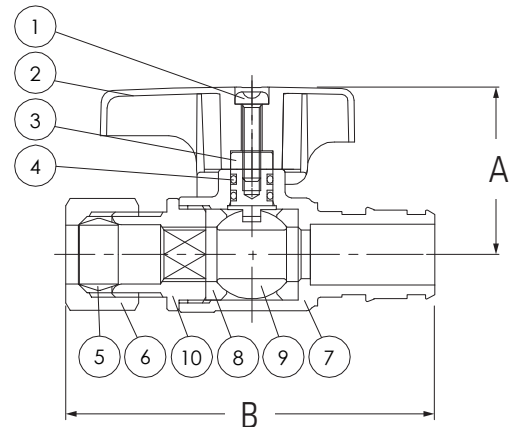


Pictured:
T-596NL F1960
Cold-expansion

Working Pressure, Non Shock (PSI)

Cold working pressure (CWP): 125 CWP
Maximum service temperature: 180°F

MATERIAL SPECIFICATION		
PART	MATERIAL	SPECIFICATION
1 Handle screw	Plated carbon steel	AISI 1010
2 Handle	Chrome plated zinc	ASTM B86
3 Stem	Lead-free brass	UNS Alloy C46400
4 Stem O-ring (2)	NBR (Buna-N) rubber	Commercial grade
5 Compression ferrule	Brass	ASTM B135 UNS C26000
6 Compression nut	Chrome plated brass	ASTM B16 UNS C36000
7 Body	Lead-free chrome plated brass	UNS Alloy C46400
8 Seat (2)	EPDM rubber	Commercial grade
9 Ball	Lead-free chrome plated brass	UNS Alloy C46400
10 End Adapter	Lead-free chrome plated brass	UNS Alloy C46400



Pictured:
T-596NL F1960 Cold-expansion
Cut-away

DIMENSIONS			
Nominal Inlet x O.D. Outlet		A	B
T-596NL Straight configuration: Cold-expansion PEX inlet x compression outlet			
1/2" F1960 PEX barb x 1/4" OD		1.10	2.28
1/2" F1960 PEX barb x 3/8" OD		1.10	2.36

Certifications/Listings:

Third-Party certified.

ANSI/NSF 61: Drinking water system components health effects.

Standards:

ANSI/ASME B16.51: Copper and copper alloy press-connect pressure fittings.

ASTM F1960: Cold expansion fittings with PEX reinforcing rings.

SUBMITTAL SHEET

JOB NAME	ITEM TAG
JOB LOCATION	PART NUMBER
CONTRACTOR	DATE
ENGINEER APPROVAL	DATE



LEAD-FREE QUARTER-TURN PUSH-FIT CHROME SUPPLY STOP
T-595NL & T-596NL Push-Fit

Lead-free design is suitable for all no-lead potable water installations, in full compliance of all lead-free plumbing laws.

Quarter-turn, self-cleaning ball valve design resists mineral and scale build-up, assuring positive shutoff and re-opening.

The ball-seat operation and dual O-ring stem seal features, out-perform traditional multi-turn stop designs.

Compact, chrome plated, forged brass bodies are both durable and decorative.

An ideal upgrade replacement for worn, leaking stops that won't close completely.

Push-Fit design works on Copper Tube, PEX, PE-RT and CPVC.

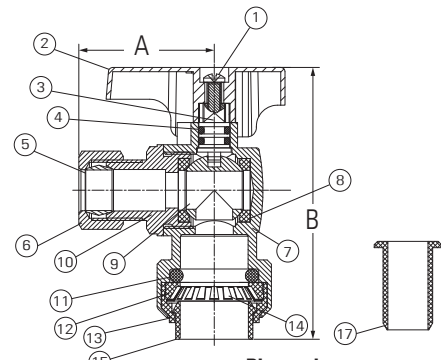


Working Pressure, Non Shock (PSI)

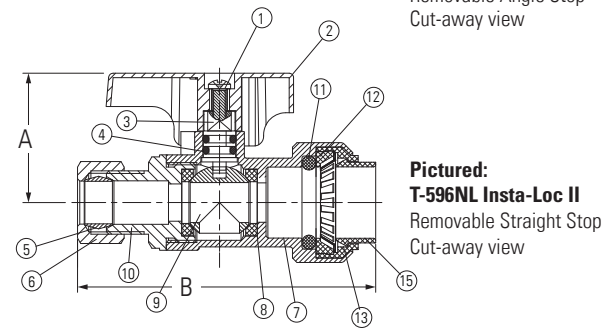
Cold working pressure (CWP): 125 psi
Saturated steam (WSP): Not suitable for steam service
Maximum service temperature: 120° F

MATERIAL SPECIFICATION

PART	MATERIAL	SPECIFICATION
1 Handle screw	Plated carbon steel	AISI 1010
2 Handle	Chrome plated zinc	ASTM B86
3 Stem	Lead-free chrome plated brass	UNS Alloy C46500
4 Stem O-ring (2)	EPDM rubber	Commercial grade
5 Compression ferrule	Brass	H65
6 Compression nut	Chrome plated brass	UNS Alloy C37700
7 Body	Lead-free chrome plated brass	UNS Alloy C46500
8 Seat (2)	PTFE	Commercial grade
9 Ball	Lead-free chrome plated brass	UNS Alloy C46500
10 End adapter	Lead-free chrome plated brass	UNS Alloy C46500
11 O-ring	EPDM rubber	Commercial grade
12 Guide ring	Acetal resin	Copolymer 90
13 Lock ring (Removable version)	Acetal resin	Copolymer 90
14 Grip ring	Stainless steel	AISI 304
15 Release ring (Removable version)	Acetal resin	Copolymer 90
16 Retainer nut (Non-removable version)	Chrome plated brass	UNS Alloy C37700
17 Insert stiffener	PSU	Polysulfone



Pictured:
T-595NL Insta-Loc II
Removable Angle Stop
Cut-away view



Pictured:
T-596NL Insta-Loc II
Removable Straight Stop
Cut-away view

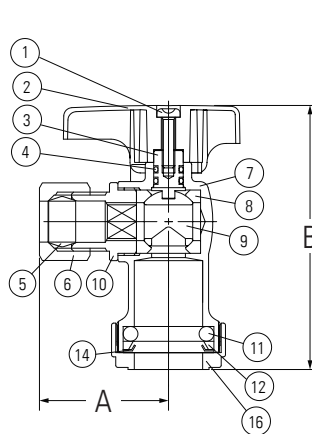
DIMENSIONS	Size	T-595NL Angle		T-596NL Straight	
		A	B	A	B
Insta-Loc (Non-removable)					
	1/2" Push-Fit x 1/4" OD	1.12	2.46	1.09	2.54
	1/2" Push-Fit x 3/8" OD	1.20	2.46	1.09	2.62
Insta-Loc II (Removable)					
	1/2" Push-Fit x 1/4" OD	1.26	2.52	1.14	2.65
	1/2" Push-Fit x 3/8" OD	1.26	2.52	1.14	2.65

Certifications/Listings:

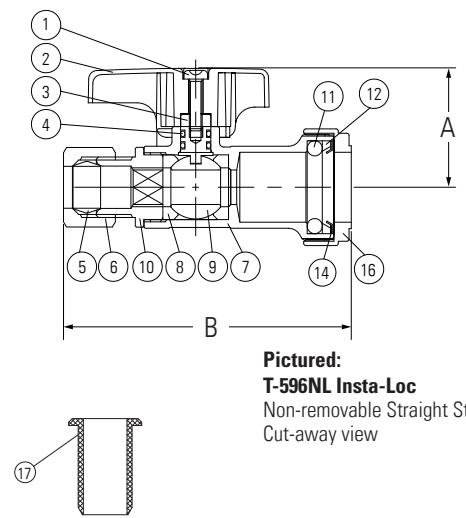
Third-Party certified.
ANSI/NSF 14: Plastic Piping System Components and Related Materials.
ANSI/NSF 61: Drinking water system components health effects.

Standards:

ASSE 1061: Performance requirements for Push-Fit fittings.



Pictured:
T-595NL Insta-Loc
Non-removable Angle Stop
Cut-away view



Pictured:
T-596NL Insta-Loc
Non-removable Straight Stop
Cut-away view