

SUBMITTAL SHEET

JOB NAME	ITEM TAG
JOB LOCATION	PART NUMBER
CONTRACTOR	DATE
ENGINEER APPROVAL	DATE

NO LEAD QUARTER-TURN BALL-TYPE CHROME SUPPLY STOP

T-596NL

Quarter-turn, self-cleaning ball valve design resists mineral and scale build-up, assuring positive shutoff and re-opening.

The ball-seat operation and dual O-ring stem seal outperform traditional multi-turn stop designs.

Compact, forged brass, chrome plated, or polished brass bodies are both durable and decorative.

An ideal upgrade replacement for worn, leaking stops that won't close completely.

Available in six straight-pattern configurations, including PEX, compression, and sweat inlet connections.

Working Pressure, Non Shock (PSI)

Cold working pressure (CWP): 125 CWP

Maximum service temperature: 180° F

MATERIAL SPECIFICATION

PART	MATERIAL	SPECIFICATION
1 Handle screw	Plated carbon steel	AISI 1010
2 Handle	Chrome plated ABS	Commercial grade
3 Stem	No lead brass	ASTM B124 UNS C46400
4 Stem O-ring (2)	NBR (Buna-N) rubber	Commercial grade
5 Compression ferrule	Brass	ASTM B135 UNS C26000
6 Compression nut	Chrome plated brass	ASTM B16 UNS C36000
7 Body	No lead brass	ASTM B124 UNS C46400
8 Seat (2)	EPDM rubber	Commercial grade
9 Ball	No lead brass	ASTM B124 UNS C46400
10 End adapter	No lead brass	ASTM B124 UNS C46400
11 Compression ferrule (compression inlet only)	Brass	ASTM B135 UNS C26000
12 Compression nut (compression inlet only)	Chrome plated brass	ASTM B16 UNS C36000
13 Compression nut (CPVC adapter inlet only)	Chrome plated brass	ASTM B16 UNS C36000
14 Adapter gasket (CPVC adapter inlet only)	NBR (Buna-N) rubber	Commercial grade
15 Socket adapter (CPVC adapter inlet only)	Virgin CPVC resin	ASTM D1784, Class 23447
16 PEX barb adapter (PEX inlet only)	No lead brass	ASTM B124 UNS C46400

DIMENSIONS - Inch

Size	A	B
3/8" FIP x 3/8" OD	1.10	2.01
1/2" FIP x 3/8" OD	1.10	2.17
5/8" OD x 3/8" OD*	1.10	2.44
1/2" CPVC x 3/8" OD	1.10	2.76
1/2" PEX x 3/8" OD	1.10	2.24
1/2" PEX x 1/2" PEX	1.10	2.24
1/2" SWT x 3/8" OD	1.10	2.40
ICEMAKER OPTIONS:		
5/8" OD x 1/4" OD	1.10	2.37
1/2" PEX x 1/4" OD	1.10	2.17

* Available in chrome plated or polished brass finishes

Certifications/Listings:

Third-party certified.

NSF/ANSI 61: Drinking water system components health effects.

NSF/ANSI 372: Drinking water system components lead content.

Standards:

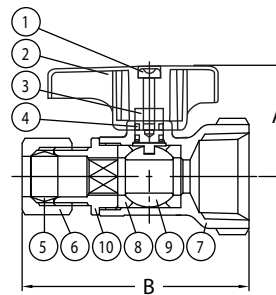
ANSI/ASME B1.20.1: Pipe threads, general purpose (inch)

ANSI/ASME B16.18: Cast copper alloy solder joint pressure fitting.

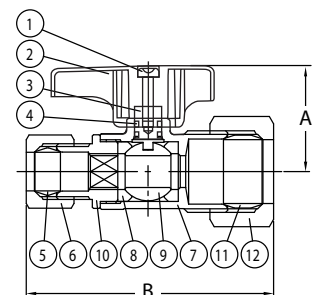
ASTM F 1807: Metal insert fitting with crimp connection.



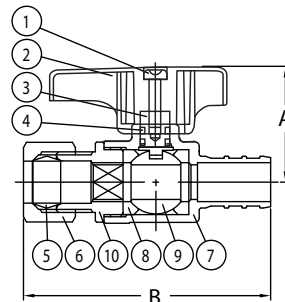
Pictured:
FNPT inlet connection



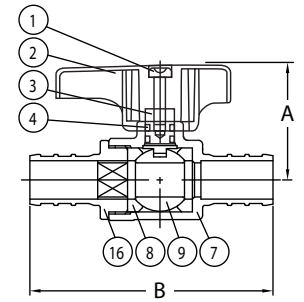
Pictured:
FNPT inlet connection



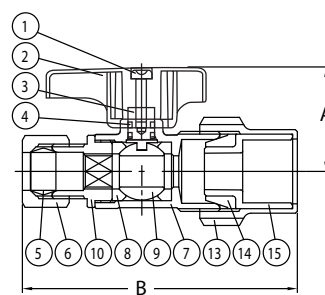
Pictured:
5/8" O.D. compression inlet



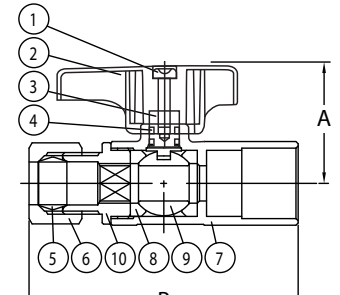
Pictured:
PEX barb inlet connection (crimp-ring,
part number 460-903 sold separately)



Pictured:
PEX x PEX barb connections (crimp-ring,
part number 460-903 sold separately)



Pictured:
CPVC solvent-weld inlet connection



Pictured:
Sweat tubing inlet connection