

SUBMITTAL SHEET

| | |
|-------------------|-------------|
| JOB NAME | ITEM TAG |
| JOB LOCATION | PART NUMBER |
| CONTRACTOR | DATE |
| ENGINEER APPROVAL | DATE |



LEAD-FREE QUARTER-TURN BALL-TYPE CHROME SUPPLY STOP

T-595NL



Lead-free design is suitable for all no-lead potable water installations, in full compliance of all lead-free plumbing laws.

Quarter-turn, self-cleaning ball valve design resists mineral and scale build-up, assuring positive shutoff and re-opening.

The ball-seat operation and dual O-ring stem seal features, out-perform traditional multi-turn stop designs.

Compact, forged brass, chrome plated or polished brass bodies are both durable and decorative.

An ideal upgrade replacement for worn, leaking stops that won't close completely.

Available in five angle-pattern configurations, including PEX, compression and Sweat inlet connections.

Working Pressure, Non Shock (PSI)

| | |
|------------------------------|--------------------------------|
| Cold working pressure (CWP): | 125 psi |
| Saturated steam (WSP): | Not suitable for steam service |
| Maximum service temperature: | 120° F |

DIMENSIONS

| Size | A | B |
|--------------------------|------|------|
| 3/8" FIP x 3/8" OD | 1.22 | 2.09 |
| 1/2" FIP x 3/8" OD | 1.22 | 2.20 |
| 5/8" OD x 3/8" OD* | 1.22 | 2.52 |
| 1/2" CPVC x 3/8" OD | 1.22 | 2.84 |
| 1/2" PEX x 3/8" OD | 1.22 | 2.99 |
| 1/2" SWT x 3/8" OD | 1.22 | 2.56 |
| IceMaker Options: | | |
| 5/8" OD x 1/4" OD | 1.15 | 2.52 |
| 1/2" PEX x 1/4" OD | 1.10 | 2.36 |

* Available in chrome plated or polished brass finishes

MATERIAL SPECIFICATION

| PART | MATERIAL | SPECIFICATION |
|---|---------------------|-------------------------|
| 1 Handle screw | Plated carbon steel | AISI 1010 |
| 2 Handle | Chrome plated zinc | ASTM B86 |
| 3 Stem | Lead-free brass | UNS Alloy C46400 |
| 4 Stem O-ring (2) | NBR (Buna-N) rubber | Commercial grade |
| 5 Compression ferrule | Brass | UNS Alloy C26000 |
| 6 Compression nut | Chrome plated brass | UNS Alloy C36000 |
| 7 Body | Lead-free brass | UNS Alloy C46400 |
| 8 Seat (2) | EPDM rubber | Commercial grade |
| 9 Ball | Lead-free brass | UNS Alloy C46400 |
| 10 End adapter | Lead-free brass | UNS Alloy C46400 |
| 11 Compression ferrule (compression inlet only) | Brass | UNS Alloy C26000 |
| 12 Compression nut (compression inlet only) | Chrome plated brass | UNS Alloy C36000 |
| 13 Compression nut (CPVC adapter inlet only) | Chrome plated brass | UNS Alloy C36000 |
| 14 Adapter gasket (CPVC adapter inlet only) | NBR (Buna-N) rubber | Commercial grade |
| 15 Socket adapter (CPVC adapter inlet only) | Virgin CPVC resin | ASTM D1784, Class 23447 |
| 16 PEX barb adapter (PEX inlet only) | Lead-free brass | UNS Alloy C46400 |

Certifications/Listings:

Third-party certified.

ANSI/NSF 61: Drinking water system components health effects.

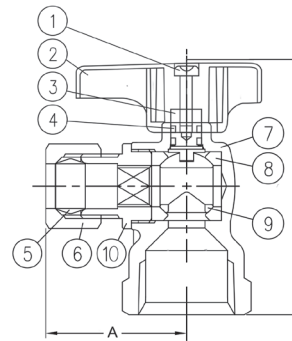
ANSI/NSF 372: Drinking water system components lead content.

Standards:

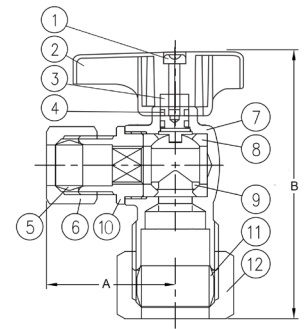
ANSI/ASME B1.20.1: Pipe threads, general purpose (inch)

ANSI/ASME B16.18: Cast copper alloy solder joint pressure fitting.

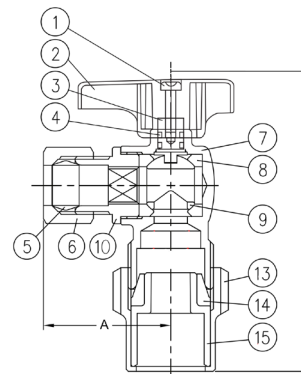
ASTM F 1807: Metal insert fitting with crimp connection.



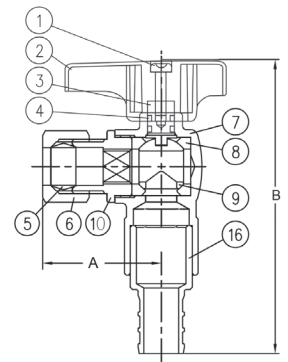
Pictured:
FNPT inlet connection



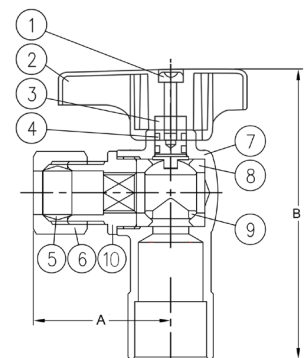
Pictured:
5/8" OD compression inlet



Pictured:
CPVC solvent-weld inlet connection



Pictured:
PEX barb inlet connection (crimp-ring, part number 460-903 sold separately)



Pictured:
Sweat tubing inlet connection

SUBMITTAL SHEET

| | |
|-------------------|-------------|
| JOB NAME | ITEM TAG |
| JOB LOCATION | PART NUMBER |
| CONTRACTOR | DATE |
| ENGINEER APPROVAL | DATE |

NO LEAD QUARTER-TURN BALL-TYPE CHROME SUPPLY STOP

T-595NL F1960 Cold-Expansion Inlet Connection

Proprietary cold-expansion PEX inlet connection utilizes an exaggerated center barb and PEX reinforcing ring (not included) for a permanent, leak-free connection.

Quarter-turn, self-cleaning ball valve design resists mineral and scale build-up, assuring positive shutoff and re-opening.

The ball-seat operation and dual O-ring stem seal features, out-perform traditional multi-turn stop designs.

Compact no lead forged brass chrome plated bodies are both durable and decorative.

An ideal upgrade replacement for worn, leaking stops that won't close completely.

Available in 3/8" O.D. or 1/4" O.D. compression outlet connections.

Working Pressure, Non Shock (PSI)

| | |
|------------------------------|---------|
| Cold working pressure (CWP): | 125 CWP |
| Maximum service temperature: | 180°F |



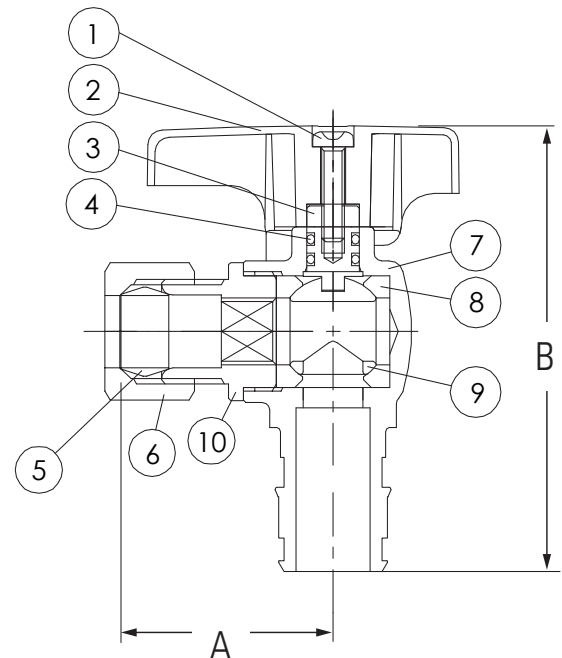
Pictured:
T-595NL F1960
Cold-expansion

MATERIAL SPECIFICATION

| PART | MATERIAL | SPECIFICATION |
|-----------------------|-----------------------------|----------------------|
| 1 Handle screw | Plated carbon steel | AISI 1010 |
| 2 Handle | Chrome plated zinc | ASTM B86 |
| 3 Stem | No lead brass | UNS Alloy C46400 |
| 4 Stem O-ring (2) | NBR (Buna-N) rubber | Commercial grade |
| 5 Compression ferrule | Brass | ASTM B135 UNS C26000 |
| 6 Compression nut | Chrome plated brass | ASTM B16 UNS C36000 |
| 7 Body | No lead chrome plated brass | UNS Alloy C46400 |
| 8 Seat (2) | EPDM rubber | Commercial grade |
| 9 Ball | No lead chrome plated brass | UNS Alloy C46400 |
| 10 End Adapter | No lead chrome plated brass | UNS Alloy C46400 |

DIMENSIONS - Inch

| Nominal Inlet x O.D. Outlet | A | B |
|---|------|------|
| T-595NL Angle configuration: Cold-expansion PEX inlet x compression outlet | | |
| 1/2" F1960 PEX barb x 1/4" OD | 1.02 | 2.32 |
| 1/2" F1960 PEX barb x 3/8" OD | 1.10 | 2.32 |



Pictured:
T-595NL F1960 Cold-expansion
Cut-away

Certifications/Listings:

Third-party certified.
ANSI/NSF 61: Drinking water system components health effects.
ANSI/NSF 372: Drinking water system components lead content.

Standards:

ANSI/ASME B1.20.1: Pipe threads, general purpose (inch)
ANSI/ASME B16.18: Cast copper alloy solder joint pressure fitting.
ASTM F1960: PEX barb inlet designed for PEX tubing conforming to ASTM F876 and F877.

SUBMITTAL SHEET

| | |
|-------------------|-------------|
| JOB NAME | ITEM TAG |
| JOB LOCATION | PART NUMBER |
| CONTRACTOR | DATE |
| ENGINEER APPROVAL | DATE |



LEAD-FREE QUARTER-TURN PUSH-FIT CHROME SUPPLY STOP
T-595NL & T-596NL Push-Fit

Lead-free design is suitable for all no-lead potable water installations, in full compliance of all lead-free plumbing laws.

Quarter-turn, self-cleaning ball valve design resists mineral and scale build-up, assuring positive shutoff and re-opening.

The ball-seat operation and dual O-ring stem seal features, out-perform traditional multi-turn stop designs.

Compact, chrome plated, forged brass bodies are both durable and decorative.

An ideal upgrade replacement for worn, leaking stops that won't close completely.

Push-Fit design works on Copper Tube, PEX, PE-RT and CPVC.

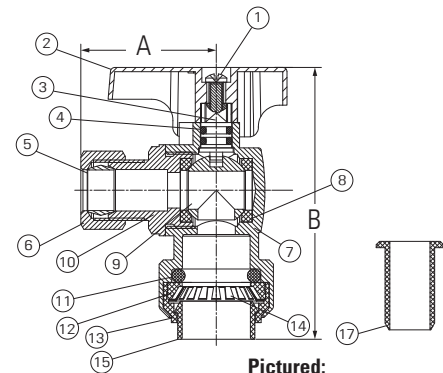


Working Pressure, Non Shock (PSI)

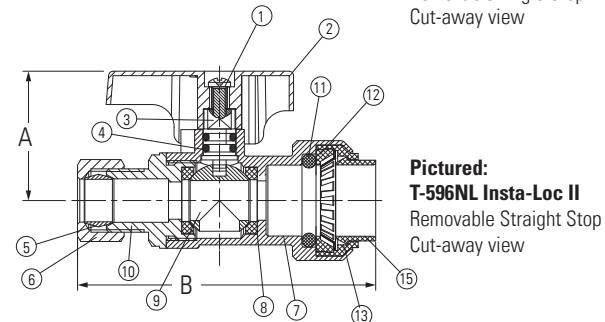
Cold working pressure (CWP): 125 psi
Saturated steam (WSP): Not suitable for steam service
Maximum service temperature: 120° F

MATERIAL SPECIFICATION

| PART | MATERIAL | SPECIFICATION |
|---|-------------------------------|------------------|
| 1 Handle screw | Plated carbon steel | AISI 1010 |
| 2 Handle | Chrome plated zinc | ASTM B86 |
| 3 Stem | Lead-free chrome plated brass | UNS Alloy C46500 |
| 4 Stem O-ring (2) | EPDM rubber | Commercial grade |
| 5 Compression ferrule | Brass | H65 |
| 6 Compression nut | Chrome plated brass | UNS Alloy C37700 |
| 7 Body | Lead-free chrome plated brass | UNS Alloy C46500 |
| 8 Seat (2) | PTFE | Commercial grade |
| 9 Ball | Lead-free chrome plated brass | UNS Alloy C46500 |
| 10 End adapter | Lead-free chrome plated brass | UNS Alloy C46500 |
| 11 O-ring | EPDM rubber | Commercial grade |
| 12 Guide ring | Acetal resin | Copolymer 90 |
| 13 Lock ring (Removable version) | Acetal resin | Copolymer 90 |
| 14 Grip ring | Stainless steel | AISI 304 |
| 15 Release ring (Removable version) | Acetal resin | Copolymer 90 |
| 16 Retainer nut (Non-removable version) | Chrome plated brass | UNS Alloy C37700 |
| 17 Insert stiffener | PSU | Polysulfone |



Pictured:
T-595NL Insta-Loc II
Removable Angle Stop
Cut-away view



Pictured:
T-596NL Insta-Loc II
Removable Straight Stop
Cut-away view

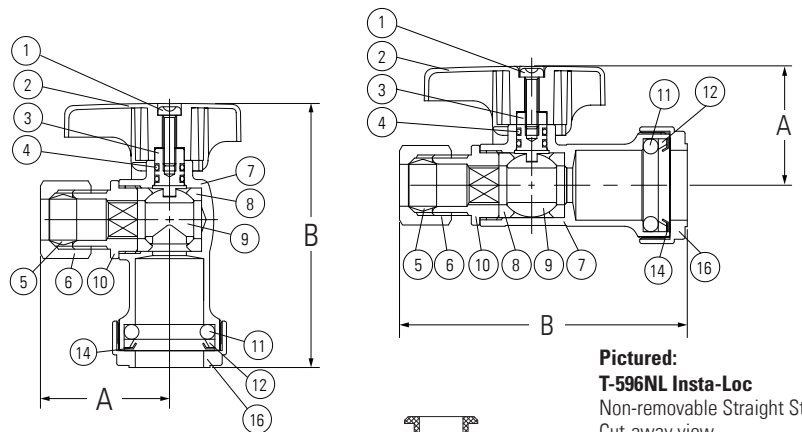
| DIMENSIONS | T-595NL Angle | | T-596NL Straight | |
|----------------------------------|---------------|------|------------------|------|
| | Size | A | B | A |
| Insta-Loc (Non-removable) | | | | |
| 1/2" Push-Fit x 1/4" OD | 1.12 | 2.46 | 1.09 | 2.54 |
| 1/2" Push-Fit x 3/8" OD | 1.20 | 2.46 | 1.09 | 2.62 |
| Insta-Loc II (Removable) | | | | |
| 1/2" Push-Fit x 1/4" OD | 1.26 | 2.52 | 1.14 | 2.65 |
| 1/2" Push-Fit x 3/8" OD | 1.26 | 2.52 | 1.14 | 2.65 |

Certifications/Listings:

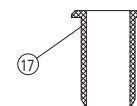
Third-Party certified.
ANSI/NSF 14: Plastic Piping System Components and Related Materials.
ANSI/NSF 61: Drinking water system components health effects.

Standards:

ASSE 1061: Performance requirements for Push-Fit fittings.



Pictured:
T-595NL Insta-Loc
Non-removable Angle Stop
Cut-away view



Pictured:
T-596NL Insta-Loc
Non-removable Straight Stop
Cut-away view