

SUBMITTAL SHEET

JOB NAME	ITEM TAG
JOB LOCATION	PART NUMBER
CONTRACTOR	DATE
ENGINEER APPROVAL	DATE

NO LEAD QUARTER-TURN BALL-TYPE CHROME SUPPLY STOP

T-595NL & T-596NL F1960 Cold-Expansion Inlet Connection

F1960 cold-expansion PEX inlet connection utilizes an exaggerated center barb and PEX reinforcing ring (not included) for a permanent, leak-free connection.

Quarter-turn, self-cleaning ball valve design resists mineral and scale build-up, assuring positive shutoff and re-opening.

The ball-seat operation and dual O-ring stem seal features, out-perform traditional multi-turn stop designs.

Compact no lead forged brass chrome plated bodies are both durable and decorative.

An ideal upgrade replacement for worn, leaking stops that won't close completely.

Available in 3/8" O.D. or 1/4" O.D. compression outlet connections.

Working Pressure, Non Shock (PSI)

Cold working pressure (CWP): 125 CWP
Maximum service temperature: 180°F

MATERIAL SPECIFICATION			
PART	MATERIAL	SPECIFICATION	
1	Handle screw	Plated carbon steel	AISI 1010
2	Handle	Chrome-plated ABS	Commercial grade
3	Stem	No lead brass	UNS Alloy C46400
4	Stem O-ring (2)	NBR (Buna-N) rubber	Commercial grade
5	Compression ferrule	Brass	ASTM B135 UNS C26000
6	Compression nut	Chrome plated brass	ASTM B16 UNS C36000
7	Body	No lead chrome plated brass	UNS Alloy C46400
8	Seat (2)	EPDM rubber	Commercial grade
9	Ball	No lead chrome plated brass	UNS Alloy C46400
10	End Adapter	No lead chrome plated brass	UNS Alloy C46400

DIMENSIONS - Inch			
Nominal Inlet x O.D. Outlet		A	B
T-595NL Angle configuration: Cold-expansion PEX inlet x compression outlet			
1/2" F1960 PEX barb x 1/4" OD		1.02	2.32
1/2" F1960 PEX barb x 3/8" OD		1.10	2.32
T-596NL Straight configuration: Cold-expansion PEX inlet x compression outlet			
1/2" F1960 PEX barb x 1/4" OD		1.10	2.28
1/2" F1960 PEX barb x 3/8" OD		1.10	2.36

Certifications/Listings:

Third-party certified.
NSF/ANSI 61: Drinking water system components health effects.
NSF/ANSI 372: Drinking water system components lead content.

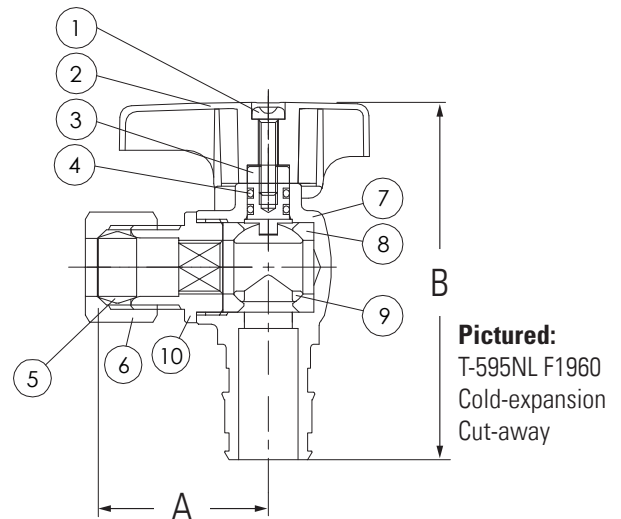
Standards:

ASTM F1960: Cold Expansion fittings with PEX reinforcing rings.

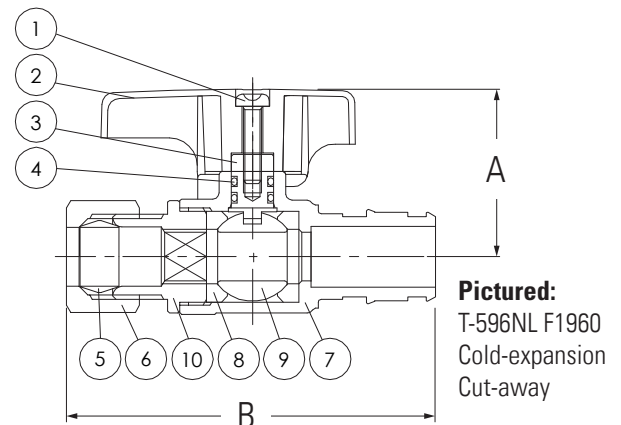


Pictured:
T-595NL
F1960 Cold-expansion

Pictured:
T-596NL
F1960 Cold-expansion



Pictured:
T-595NL F1960
Cold-expansion
Cut-away



Pictured:
T-596NL F1960
Cold-expansion
Cut-away