

SUBMITTAL SHEET

JOB NAME	ITEM TAG
JOB LOCATION	PART NUMBER
CONTRACTOR	DATE
ENGINEER APPROVAL	DATE

NO LEAD QUARTER-TURN BALL-TYPE ANGLE CHROME SUPPLY STOP WITH KEY

T-595LSNL

Quarter-turn, self-cleaning ball valve design resists mineral and scale build-up, assuring positive shutoff and re-opening.

The ball-seat operation and dual O-ring stem seal features, out-perform traditional multi-turn stop designs.

Compact, forged brass and chrome plated bodies are both durable and decorative.

An ideal upgrade replacement for worn, leaking stops that won't close completely.

End connection types include: Sweat, FNPT, Compression, F1960 & F1807 PE-RT/PEX.

Working Pressure, Non-Shock (PSI)

Cold Working Pressure (CWP): 125 psi

Maximum Service Temperature: 180°F*

**Temperatures above 120°F increase the risk of scalding. Consult local code for temperature requirements.*

MATERIAL SPECIFICATION	
PART	MATERIAL
Body	Chrome Plated Lead Free Brass
Ball	Chrome Plated Lead Free Brass
Ball seats	EPDM
Stem	Lead Free Brass
Stem O-Rings	NBR
Compression Nut	Chrome Plated Brass
Compression Ferrule	Brass
Loose Key	Chrome Plated Zinc-Aluminum

Certifications/Listings:

Third-Party certified.
 NSF/ANSI 14: Plastic piping system components and related materials.
 (Models with PEX/PE-RT Connections)
 NSF/ANSI 61: Drinking water system components health effects.

Standards:

ANSI/ASME B1.20.1: Pipe threads, general purpose, Inch.
 ANSI/ASME B16.22: Wrought copper and copper alloy solder-joint pressure fittings.
 ASTM F1807: Metal insert fittings utilizing a copper crimp ring or stainless steel clamps.
 ASTM F1960: Cold expansion fittings with PEX reinforcing rings.



Pictured:
T-595LSNL
OD x OD



Pictured:
T-595LSNL
FNPT x OD



Pictured:
T-595LSNL
F1960 x OD

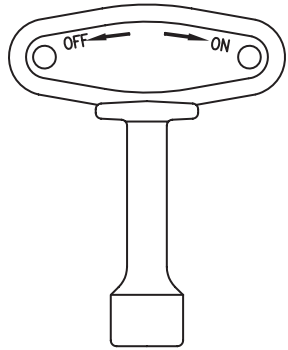


Pictured:
T-595LSNL
F1807 x OD

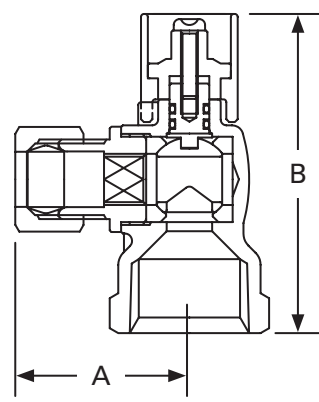


Pictured:
T-595LSNL
Sweat x OD

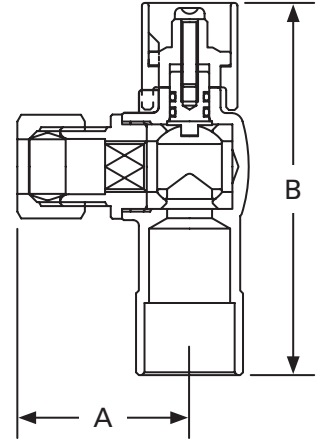
DIMENSIONS	T-595LSNL Angle	
	A	B
Size		
3/8" FNPT x 3/8" OD	1.22	2.20
1/2" FNPT x 3/8" OD	1.22	2.20
5/8" OD x 3/8" OD	1.22	2.48
1/2" PEX (F1807) x 3/8" OD	1.22	3.03
1/2" PEX (F1960) x 3/8" OD	1.22	2.40
1/2" SWT x 3/8" OD	1.22	2.60



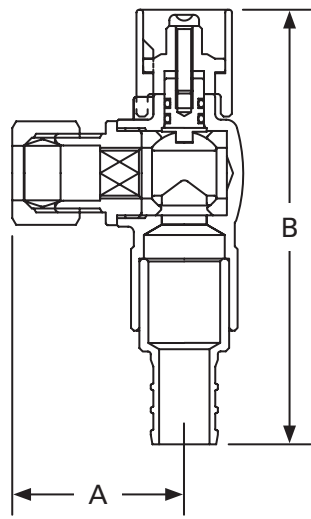
Pictured:
T-595LSNL
Loose Key
Cut-Away



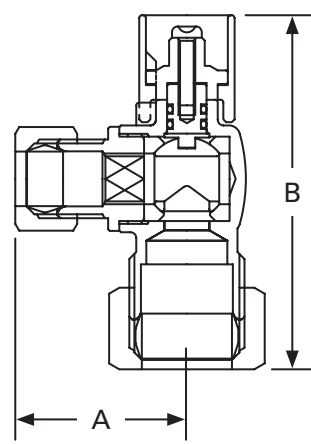
Pictured:
T-595LSNL
FNPT x OD
Cut-Away



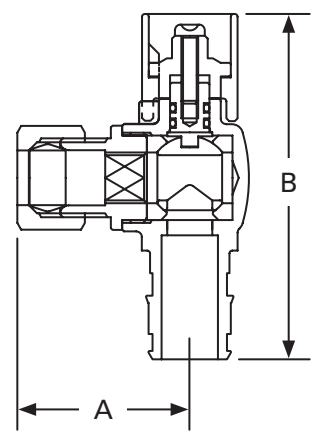
Pictured:
T-595LSNL
Sweat x OD
Cut-Away



Pictured:
T-595LSNL
F1807 x OD
Cut-Away



Pictured:
T-595LSNL
OD x OD
Cut-Away



Pictured:
T-595LSNL
F1960 x OD
Cut-Away